

Quick Start Guide  
Guide de démarrage rapide  
Schnellstartanleitung  
Guida di avvio rapido  
Guía de inicio rápido  
Guia de Início Rápido  
Snelstartgids





# Contents

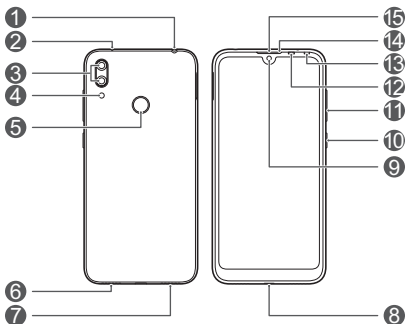
English (United Kingdom).....	1
Français.....	12
Deutsch.....	25
Italiano.....	37
Español.....	48
Português.....	60
Nederlands.....	71



## Your Device at a Glance

Before you start, let's take a look at your new device.

- To power on your device, press and hold the power button until the screen turns on.
- To power off your device, press and hold the power button, and then touch .
- To restart your device, press and hold the power button, and then touch .
- Press and hold the power button for 10 or more seconds to forcibly restart your device.



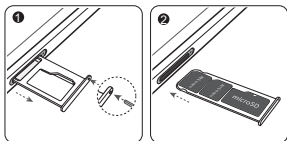
1	Headset jack	2	Secondary microphone
3	Rear camera	4	Flash
5	Fingerprint scanner	6	Speaker
7	Primary microphone	8	Micro-USB port
9	Front camera	10	Power button
11	Volume button	12	Light sensor
13	Selfie Toning Flash	14	Status indicator
15	Earpiece		

# Getting Started

- Do not insert or remove the SIM card when your device is powered on.
- Ensure that the card is correctly aligned and that the card tray is level when you insert it into your device.
- Be careful not to scratch your device or hurt yourself when using the eject pin.
- Store the eject pin out of the reach of children to prevent accidental swallowing or injury.
- Do not use cut or modified SIM or microSD cards with your device as these may not be recognised and could damage the card tray (slot).
- If your SIM card does not match your device, please contact your carrier.

Follow the instructions in the following figures to set up your device. Please use the eject pin included.

## Dual-SIM:



## Dual Card Dual Standby Single Pass (dual-SIM devices only)

Your device supports only dual card dual standby single pass, which means you cannot use both SIM cards for calls or data services simultaneously.

- When you are on a call using SIM card 1, SIM card 2 cannot be used to make or answer calls. If someone calls SIM card 2, the caller will hear a voice message similar to "The subscriber you dialed is out of the service area" or "The subscriber you dialed cannot be connected for the moment, please try again later." The actual message will vary by service provider.
- When you are using SIM card 1's data service, SIM card 2's data service will be disabled.

Your device's single pass feature helps reduce power consumption and increase your device's standby time. It is not related to your service provider's network conditions.

You can go to **Settings > Wireless & networks > Dual SIM settings**, and enable **Enable call forwarding between SIMs** to avoid the conflicts mentioned above.

## For More Information

If you encounter any problems whilst using your device, you can get help from the following resources:


- Go to **Tips** for function details and usage tips.
- Visit <http://consumer.huawei.com/en> to view device information, frequently asked questions and other information.
- Visit <http://consumer.huawei.com/en/support> for the most up-to-date contact information for your country or region.
- You can find service hotlines, retailer addresses, service policies and more information for your local region in **HiCare**.

Go to **Settings** and touch **System > About phone > Legal** to view legal information for your product.

Go to **Settings** and touch **System > About phone > Legal > Safety information** to view safety information for your product.

Go to **Settings** and touch **System > About phone > Authentication info** to view regulatory information for your product.

Go to **Settings** and touch **System > Certification logos** to view more information on certification logos for your product.

-  All pictures and illustrations in this guide, including but not limited to the device colour, size, and display content, are for your reference only. The actual device may vary. Nothing in this guide constitutes a warranty of any kind, express or implied.



# Safety Information

Please read all of the safety information carefully before using your device to ensure its safe and proper operation and to learn how to dispose of your device properly.

## Operation and Safety



- To prevent possible hearing damage, do not listen at high volume levels for long periods.
- Using an unapproved or incompatible power adapter, charger or battery may damage your device, shorten its lifespan or cause a fire, explosion or other hazards.
- Ideal operating temperatures are 0 °C to 35 °C. Ideal storage temperatures are -20 °C to +45 °C.
- Pacemaker manufacturers recommend maintaining a minimum distance of 15 cm between a pacemaker and a wireless device to prevent potential interference with the pacemaker. If using a pacemaker, hold the device on the side opposite the pacemaker and do not carry the device in your front pocket.
- Keep the device and the battery away from fire, excessive heat and direct sunlight. Do not place them on or in heating devices, such as microwave ovens, water heaters, stoves or radiators.
- Adhere to local laws and regulations while using the device. To reduce the risk of accidents, do not use your wireless device while driving. If you must make or answer a call, stop your vehicle at a safe location first.
- While flying in an aircraft or immediately before boarding, ensure that you use your device according to the instructions provided. Using a wireless device in an aircraft may disrupt wireless networks, present a hazard to aircraft operations or be illegal under law.
- To prevent damage to your device's parts or internal circuits, do not use it in dusty, smoky, damp or dirty environments or near magnetic fields.
- When charging the device, make sure the power adapter is plugged into a socket near the devices and is easily accessible.
- Unplug the charger from the electric socket and from the device when not in use.

- Do not use, store or transport the device where flammables or explosives are stored (e.g. in a petrol station, oil depot or chemical plant). Using your device in these environments increases the risk of explosion or fire.
- Dispose of this device, the battery and accessories according to local regulations. They should not be disposed of in normal household waste. Improper battery use may lead to fire, explosion or other hazards.
- Please consult your doctor and the device manufacturer to determine if operation of your device may interfere with the operation of your medical device.
- Adhere to any rules or regulations set forth by hospitals and health care facilities.

## Potentially Explosive Atmosphere

Power off your device in any area with a potentially explosive atmosphere, and comply with all signs and instructions. Areas that may have potentially explosive atmospheres include the areas where you would normally be advised to turn off your vehicle engine. Triggering of sparks in such areas could cause an explosion or a fire, resulting in bodily injuries or even deaths. Do not power on your device at refueling points such as service stations. Comply with restrictions on the use of radio equipment in fuel depots, storage, and distribution areas, and chemical plants. In addition, adhere to restrictions in areas where blasting operations are in progress. Before using the device, watch out for areas that have potentially explosive atmospheres that are often, but not always, clearly marked. Such locations include areas below the deck on boats, chemical transfer or storage facilities, and areas where the air contains chemicals or particles such as grain, dust, or metal powders. Ask the manufacturers of vehicles using liquefied petroleum gas (such as propane or butane) whether this device can be safely used in their vicinity.

## Disposal and recycling information



The crossed-out wheelee bin symbol on your product, battery, literature or packaging reminds you that all electronic products and batteries must be taken to separate waste collection points at the end of their working lives; they must not be disposed of in normal household waste. It is the responsibility

of the user to dispose of the equipment using a designated collection point or service for separate recycling of waste electrical and electronic equipment (WEEE) and batteries according to local laws.

Proper collection and recycling of your equipment helps ensure EEE waste is recycled in a manner that conserves valuable materials and protects human health and the environment. Improper handling, accidental breakage, damage, and/or improper recycling at the end of its life may be harmful for your health and the environment. For more information about where and how to drop off your EEE waste, please contact your local authorities, retailer or household waste disposal service or visit the website <http://consumer.huawei.com/en/>.

## Reduction of hazardous substances

This device and any electrical accessories are compliant with local applicable rules on the restriction of the use of certain hazardous substances in electrical and electronic equipment, such as EU REACH, RoHS and Batteries (where included) regulations, etc. For declarations of conformity about REACH and RoHS, please visit our web site <http://consumer.huawei.com/certification>.

## EU Regulatory Conformance

### Body worn operation

The device complies with RF specifications when used near your ear or at a distance of 0.50 cm from your body. Ensure that the device accessories, such as a device case and device holster, are not composed of metal components. Keep the device away from your body to meet the distance requirement.

The highest SAR value reported for this device type when tested at the ear is

DUB-LX1	0.30 W/kg
---------	-----------

And when properly worn on the body is

DUB-LX1	0.55 W/kg
---------	-----------

### Statement

Hereby, Huawei Technologies Co., Ltd. declares that this device DUB-LX1 is in compliance with the essential requirements and other relevant provisions of Directive 2014/53/EU.

The most recent and valid version of the DoC (Declaration of Conformity) can be viewed at <http://consumer.huawei.com/certification>.

This device may be operated in all member states of the EU.

Observe national and local regulations where the device is used.

This device may be restricted for use, depending on the local network.

### **Restrictions in the 2.4 GHz band:**

**Norway:** This subsection does not apply for the geographical area within a radius of 20 km from the centre of Ny-Ålesund.

### **Frequency Bands and Power**

(a) Frequency bands in which the radio equipment operates: Some bands may not be available in all countries or all areas. Please contact the local network provider for more details.

(b) Maximum radio-frequency power transmitted in the frequency bands in which the radio equipment operates: The maximum power for all bands is less than the highest limit value specified in the related Harmonised Standard.

The frequency bands and transmitting power (radiated and/or conducted) nominal limits applicable to this radio equipment are as follows:

DUB-LX1	GSM900:35dBm, GSM1800:32dBm, WCDMA900/2100:25.7dBm, LTE Band 1/3/7/8/20:25.7dBm, Wi-Fi 2.4G:20dBm, Bluetooth:10dBm
---------	--

### **Accessories and Software Information**

Some accessories are optional in certain countries or regions. Optional accessories can be purchased from a licenced vendor as required. The following accessories are recommended:

Adapters: HW-050200X01, HW-050200X02 (X represents the different plug types used, which can be either C, U, J, E, B, A, I, R, Z or K, depending on your region)

Batteries: HB406689ECW

Earphones: MEND1532B528A02, 1293-3283-3.5mm-322, MEMD1532B528000, 1293#+3283# 3.5MM-150

The product software version is DUB-LX1: DUB-LX1

8.2.0.107(C900). Software updates will be released by the manufacturer to fix bugs or enhance functions after the product has been released. All software versions released by the manufacturer have been verified and are still compliant with the related rules.

All RF parameters (for example, frequency range and output power) are not accessible to the user, and cannot be changed by the user.

For the most recent information about accessories and software, please see the DoC (Declaration of Conformity) at <http://consumer.huawei.com/certification>.

## FCC Regulatory Compliance

### Body worn operation

The device complies with RF specifications when used near your ear or at a distance of 1.50 cm from your body. Ensure that the device accessories, such as a device case and device holster, are not composed of metal components. Keep the device away from your body to meet the distance requirement.

### Certification information (SAR)

This device is also designed to meet the requirements for exposure to radio waves established by the Federal Communications Commission (USA).

The SAR limit adopted by the USA is 1.6 W/kg averaged over one gram of tissue. The highest SAR value reported to the FCC for this device type complies with this limit.

The highest SAR value reported to the FCC for this device type when using it at the ear is

DUB-LX1	0.58 W/kg
---------	-----------

And when properly worn on the body is

DUB-LX1	0.53 W/kg
---------	-----------

And when using the Wi-Fi hotspot function is

DUB-LX1	0.51 W/kg
---------	-----------

### FCC statement

This device has been tested and found to comply with the limits for a Class B digital device, pursuant to Part 15 of the FCC Rules. These limits are designed to provide reasonable protection against harmful interference in a residential installation. This device generates, uses and can radiate radio frequency energy and, if not installed and used in accordance with the instructions, may cause harmful interference to radio communications. However, there is no guarantee that interference will not occur in a particular installation. If this device does cause harmful interference to radio or television reception, which can be determined by turning the equipment off and on, the user is encouraged to perform one or more of the following operations to try to correct the interference:

- Reorient or relocate the receiving antenna.
- Increase the separation between the equipment and receiver.
- Connect the device into an outlet on a circuit different from that to which the receiver is connected.
- Consult the dealer or an experienced radio/TV technician for help.

This device complies with Part 15 of the FCC Rules. Operation is subject to the following two conditions: (1) this device may not cause harmful interference, and (2) this device must accept any interference received, including interference that may cause undesired operation.

**Caution:** Any changes or modifications to this device not expressly approved by Huawei Technologies Co., Ltd. for compliance could void the user's authority to operate the device.

# Legal Notice

## Trademarks and Permissions



**HUAWEI**, **HUAWEI**, and  are trademarks or registered trademarks of Huawei Technologies Co., Ltd.

Android™ is a trademark of Google Inc.

LTE is a trade mark of ETSI.

The *Bluetooth*® word mark and logos are registered trademarks owned by *Bluetooth SIG, Inc.* and any use of such marks by Huawei Technologies Co., Ltd. is under license.

Wi-Fi®, the Wi-Fi CERTIFIED logo and the Wi-Fi logo are trademarks of Wi-Fi Alliance.

## Privacy Policy

To better understand how we protect your personal information, please see the privacy policy at <http://consumer.huawei.com/privacy-policy>.



**Copyright © Huawei Technologies Co., Ltd.**

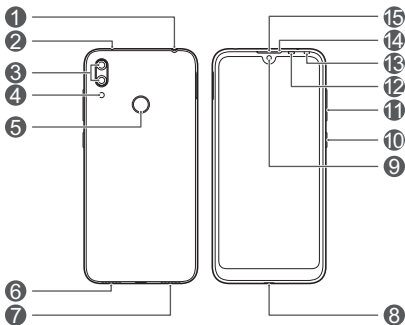
**2018. All rights reserved.**

THIS DOCUMENT IS FOR INFORMATION PURPOSE ONLY, AND DOES NOT CONSTITUTE ANY KIND OF WARRANTIES.

## Votre appareil en un coup d'œil

Avant de commencer, jetons un coup d'œil à votre nouvel appareil.

- Pour mettre votre appareil sous tension, appuyez longuement sur le bouton alimentation jusqu'à ce que l'écran s'allume.
- Pour mettre votre appareil hors tension, appuyez longuement sur le bouton d'alimentation, puis touchez .
- Pour redémarrer votre appareil, appuyez longuement sur le bouton d'alimentation, puis touchez .
- Maintenez enfoncé le bouton d'alimentation pendant 10 secondes ou plus pour forcer le redémarrage de l'appareil.



1	Prise casque	2	Micro secondaire
3	Appareil photo arrière	4	Flash
5	Capteur d'empreinte digitale	6	Haut-parleur
7	Micro principal	8	Port micro-USB
9	Appareil photo avant	10	Bouton marche/arrêt
11	Bouton du volume	12	Capteur de luminosité
13	Selfie Amélioration du teint	14	Témoin lumineux d'état



15

Écouteur

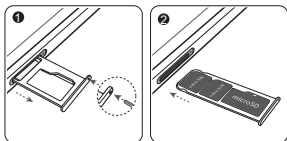
## Prise en main

- Ne pas insérer ou retirer le tiroir de carte lorsque votre appareil est sous tension.
- Assurez-vous que la carte est correctement orientée et maintenez le tiroir de carte à plat lors de son insertion dans votre appareil.
- Faites attention de ne pas érafler votre appareil ou de ne pas vous blesser en utilisant la broche d'éjection du tiroir de cartes.
- Rangez la broche d'éjection de carte hors de la portée des enfants pour éviter toute ingestion ou blessure accidentelle.
- N'utilisez pas des cartes SIM ou micro SD coupées ou modifiées avec votre appareil car elles pourraient ne pas être reconnues, ou endommager le tiroir (emplacement) de la carte.
- Si votre carte SIM ne correspond pas à votre appareil, veuillez contacter votre opérateur.

Pour configurer votre appareil, suivez les instructions présentées sur les illustrations suivantes. Veuillez utiliser la broche d'éjection incluse.

Pour un usage optimal et vous offrir une compatibilité avec les services de votre opérateur, nous vous recommandons de mettre votre carte SIM dans l'emplacement 1 indiqué ci-dessous.

### Double SIM :



## Spécificité d'appel avec 2 SIM insérées

Votre appareil prend uniquement en charge la fonctionnalité « Double veille, Une active », ce qui implique que vous ne pouvez pas utiliser les deux cartes SIM simultanément pour les appels ou les services de données.

- Quand vous appelez via la carte SIM 1, la carte SIM 2 ne peut être utilisée pour appeler ou répondre à des appels. Si quelqu'un appelle via la carte SIM 2, il entendra un message vocal tel que « L'abonné contacté est hors de la zone de service » ou « Cet abonné n'est pas en mesure de vous répondre pour le moment ; veuillez réessayer plus tard ». Le message variera d'un fournisseur à l'autre.
- Quand vous utilisez le service de données de la carte SIM 1, le service de données de la carte SIM 2 sera désactivé.

La fonctionnalité simple passe de votre appareil vous aide à réduire sa consommation d'énergie et à augmenter sa durée de veille. Elle n'est pas liée aux conditions de réseau de votre fournisseur de services.

Vous pouvez aller à **Paramètres > Sans fil & réseaux > Gestion des cartes SIM**, et activer **Transfert d'appel entre cartes SIM** pour éviter les conflits mentionnés ci-dessus.

## Pour plus d'informations

Si vous rencontrez des problèmes lorsque vous utilisez votre téléphone, vous pouvez obtenir de l'aide à partir des ressources suivantes :


- Allez à **Astuces** pour plus de détails sur la fonction et de conseils d'utilisation.
- Visitez <http://consumer.huawei.com/en> pour consulter les informations sur l'appareil, les questions fréquentes et autres informations.
- Vous rendre sur le site <http://consumer.huawei.com/en/support> pour connaître les coordonnées de contact les plus récentes pour votre pays ou région.
- Vous pouvez trouver les services d'assistance téléphonique, les adresses des points de vente, la politique de service et plus d'informations pour votre région dans **HiCare**.

Accédez à **Paramètres** puis touchez **Système** > **À propos du téléphone** > **Légal** pour consulter les informations juridiques relatives à votre produit.

Accédez à **Paramètres** puis touchez **Système** > **À propos du téléphone** > **Légal** > **Informations de sécurité** pour consulter les informations de sécurité relatives à votre produit.

Accédez à **Paramètres** puis touchez **Système** > **À propos du téléphone** > **Informations d'authentification** pour consulter les informations réglementaires relatives à votre produit.

Accédez à **Paramètres** puis touchez **Système** > **Logos de certification** pour plus d'informations relatives aux marques de certifications pour votre produit.

-  Toutes les images et illustrations figurant dans ce guide, notamment la couleur et la taille de l'appareil, ainsi que le contenu de l'affichage, sont fournies à titre de référence uniquement. Il est possible que l'appareil réel diffère. Rien dans ce guide ne constitue une quelconque garantie, explicite ou implicite.

# Informations relatives à la sécurité

Cette section contient des informations importantes relatives à l'utilisation de votre appareil. Elle contient également des informations sur la manière d'utiliser votre appareil en toute sécurité. Veuillez lire attentivement ces informations avant d'utiliser votre appareil.

## Précautions à prendre:

Pour les personnes porteuses d'implants électroniques, il est préférable de mettre le téléphone mobile à une distance de 15 cm ou à l'opposé de l'implant.

## Conseils d'utilisation:

Aucun danger lié à l'utilisation d'un téléphone mobile n'ayant été constaté, ceci est à titre de prévention.

## Pour réduire le niveau d'exposition au rayonnement, il est recommandé d'utiliser le téléphone mobile:

- \* dans de **bonnes conditions de réception**,
- \* lorsque les paramètres d'indication du signal affichent un **signal complet de bonne réception**.
- \* avec un kit mains libres.
- \* en priorisant l'usage des données, sms et mms aux appels.

**Il est recommandé d'éloigner les téléphones mobiles du ventre des femmes enceintes et du bas ventre des adolescents.**

## Utilisation et sécurité



- L'écoute d'un baladeur musical à forte puissance peut endommager l'oreille de l'utilisateur et entraîner des troubles auditifs (surdit  temporaire ou d finitive, bourdonnements d'oreille, acouph nes, hyperacousie). Il est donc vivement recommand  de ne pas utiliser le baladeur   plein volume ni plus d'une heure par jour   volume moyen.
- L'utilisation d'accessoires  lectriques (adaptateur d'alimentation, chargeur ou batterie) non approuv s ou incompatibles risque d'endommager votre appareil, de raccourcir sa dur e de vie ou de provoquer un incendie, une explosion ou d'autres accidents.
- Pour le fonctionnement, les temp ratures id ales vont de 0 C   35 C. Pour le stockage, elles vont de -20 C   +45 C.

- Les fabricants de stimulateurs cardiaques recommandent de laisser un écart minimum de 15 cm entre un appareil et un stimulateur cardiaque afin d'empêcher des interférences potentielles avec le stimulateur. Si vous utilisez un stimulateur cardiaque, tenez l'appareil du côté opposé au stimulateur cardiaque et ne portez pas l'appareil dans votre poche avant.
- Tenez l'appareil et la batterie à l'écart du feu, des sources de chaleur excessive et de la lumière directe du soleil. Ne les placez pas sur ou dans des appareils générant de la chaleur, tels que les fours micro-ondes, les chauffe-eau, les cuisinières ou les radiateurs.
- Conformez-vous aux lois et réglementations locales lorsque vous utilisez l'appareil. Pour réduire le risque d'accidents, n'utilisez pas votre appareil sans fil au volant. Si vous devez passer ou répondre à un appel, arrêtez-vous dans un endroit sécurisé.
- En avion ou immédiatement avant d'embarquer, n'utilisez votre appareil qu'en respectant les consignes qui vous sont données. L'utilisation en avion d'un appareil sans fil peut perturber les réseaux sans fil et le fonctionnement de l'avion ou même être illégale.
- Pour prévenir l'endommagement des composants de votre appareil ou de ses circuits internes, n'utilisez pas ce dernier dans des environnements poussiéreux, enfumés, humides ou sales, ou à proximité de champs magnétiques.
- Lorsque vous rechargez l'appareil, assurez-vous que l'adaptateur d'alimentation est branché sur une prise à proximité de l'appareil et qu'il est facilement accessible.
- Débranchez le chargeur de la prise électrique et de l'appareil lorsque vous ne l'utilisez pas.
- N'utilisez pas l'appareil dans des endroits où sont stockées des matières inflammables ou explosives (station-service, dépôt de pétrole ou usine chimique, par exemple). L'utilisation de votre appareil dans ces environnements augmente le risque d'explosion ou d'incendie.
- Pour mettre au rebut cet appareil, la batterie et les accessoires, conformez-vous aux réglementations locales. Ne les mettez pas au rebut avec les ordures ménagères. L'utilisation d'une batterie inappropriée risque de provoquer un incendie, une explosion ou d'autres accidents.
- Consultez un médecin et le fabricant de l'appareil pour savoir si le fonctionnement du appareil peut interférer avec vos appareils médicaux.

- Suivez les règles et réglementations établies par les hôpitaux et les centres de santé. N'utilisez pas votre appareil dans un endroit où cela est interdit.
- Ne pas téléphoner en conduisant.
- Respectez les consignes de sécurité propres à certains lieux.

## **Atmosphères potentiellement explosives**

Éteignez votre appareil dans tout environnement potentiellement explosif et conformez-vous aux instructions et signalisations. Les zones comportant des risques d'explosion comprennent les zones dans lesquelles vous devez couper le moteur de votre véhicule. La projection d'étincelles dans de telles zones pourrait provoquer une explosion ou un incendie, entraînant des blessures corporelles ou la mort. N'utilisez pas l'appareil dans des points de ravitaillement tels que des stations-services. Conformez-vous aux restrictions sur l'utilisation d'équipements radio dans des zones de dépôt de combustibles, de stockage et de distribution et des usines chimiques. Conformez-vous également aux restrictions dans les zones où des explosions sont en cours. Avant d'utiliser l'appareil, identifiez les zones comportant des risques d'explosion qui ne sont pas toujours correctement signalées. Les endroits de cette nature sont les zones situées sous le pont des bateaux, les complexes de transfert de produits chimiques ou de stockage et les zones dans lesquelles l'air contient des produits chimiques ou des particules, telles que grain, poussière ou poussières métalliques. Renseignez-vous auprès des fabricants de véhicules GPL (au propane ou au butane) sur les précautions à prendre en cas d'usage de l'appareil à proximité desdits véhicules.

## **Informations sur la mise au rebut et le recyclage**



Sur votre produit, sur la batterie, dans la documentation ou sur l'emballage, le symbole de poubelle roulante barrée d'une croix vous rappelle que tous les produits électroniques et toutes les batteries doivent être apportés à des points de collecte distincts de ceux des ordures ménagères normales lorsqu'ils arrivent en fin de vie. Il incombe à l'utilisateur de se débarrasser de l'équipement dans un point de collecte ou auprès d'un service spécifiquement désignés pour le recyclage des déchets électriques et des équipements électroniques

(DEEE) ainsi que des batteries, dans le respect de la législation locale.

Collecter et recycler votre équipement de manière appropriée garantit un recyclage de vos déchets électriques et électroniques, qui préserve des matériaux précieux et protège la santé humaine et l'environnement ; un traitement inapproprié de ces déchets, des bris accidentels, leur endommagement et un recyclage inapproprié en fin de vie peuvent s'avérer nuisibles pour la santé et l'environnement. Pour en savoir plus sur les lieux et la manière dont vous débarrasser de vos déchets électriques et électroniques contactez les autorités locales, votre détaillant ou le service des ordures ménagères, ou allez sur le site web <http://consumer.huawei.com/en/>.

### **Diminution des substances dangereuses**

Cet appareil et les accessoires électriques respectent les règles locales applicables sur la restriction dans l'utilisation de certaines substances dangereuses dans les équipements électriques et électroniques, telles les directives REACH et RoHS de l'UE et les réglementations concernant les batteries, etc. Pour les déclarations de conformité REACH et RoHS, allez sur notre site web <http://consumer.huawei.com/certification>.

### **Conformité réglementaire UE**

#### **Utilisation près du corps**

L'appareil est conforme aux spécifications RF s'il est utilisé à l'oreille ou à une distance de 0,50 cm de votre corps. Assurez-vous que les accessoires de l'appareil, tels que le boîtier ou l'étui, ne sont pas composés d'éléments métalliques.

Conservez l'appareil à distance de votre corps afin de respecter les exigences en matière de distance.

La valeur DAS la plus élevée pour ce type d'appareil une fois testé à l'oreille est

DUB-LX1	0,30 W/kg
---------	-----------

Et lorsque correctement porté sur le corps est

DUB-LX1	0,55 W/kg
---------	-----------

#### **Déclaration**

Par la présente, Huawei Technologies Co., Ltd. déclare que ce produit DUB-LX1 est conforme aux exigences fondamentales et aux autres dispositions pertinentes de la directive 2014/53/UE.



La version de la déclaration de conformité la plus récente et en vigueur peut être vue sur <http://consumer.huawei.com/certification>.

Ce produit peut être utilisé dans tous les états membres de l'UE.

Veillez vous conformer à la réglementation nationale et locale en fonction du lieu d'utilisation du produit.

Ce produit peut faire l'objet d'une restriction d'utilisation en fonction du réseau local.

### **Restrictions au niveau de la bande 2,4 GHz :**

**Norvège :** Ce sous-chapitre ne s'applique pas à la zone géographique de 20 km de rayon autour du centre de Ny-Ålesund.

### **Bandes de fréquence et puissance**

a) Les bandes de fréquences sur lesquelles fonctionne l'équipement radiotéléphonique : certaines bandes ne sont pas disponibles dans tous les pays ou dans toutes les régions. Pour plus d'informations, veuillez contacter votre opérateur local.

b) La puissance de radioélectrique maximale transmise sur les bandes de fréquences dans lesquelles fonctionne l'équipement radiotéléphonique : la puissance maximale pour toutes les bandes est inférieure à la valeur limite la plus élevée spécifiée par la norme harmonisée.

Les limites nominales des bandes de fréquences et de la puissance d'émission (rayonnées et/ou par conduction) applicables à cet équipement radio sont les suivantes :

DUB-LX1	GSM900:35dBm, GSM1800:32dBm, WCDMA900/2100:25.7dBm, LTE Band 1/3/7/8/20:25.7dBm, Wi-Fi 2.4G:20dBm, Bluetooth:10dBm
---------	--

### **Informations relatives aux accessoires et logiciels**

Dans certains pays et régions, des accessoires sont en option. Des accessoires en option peuvent être achetés auprès d'un fournisseur agréé, au besoin. Nous recommandons les accessoires suivants :

Adaptateurs : HW-050200X01, HW-050200X02 (X représente les différents types de prises utilisées, qui peuvent être C, U, J, E, B, A, I, R, Z ou K, selon votre région)

Batteries : HB406689ECW

Écouteurs : MEND1532B528A02, 1293-3283-3.5mm-322, MEMD1532B528000, 1293#+3283# 3.5MM-150

La version logicielle du produit est DUB-LX1: DUB-LX1 8.2.0.107(C900). Les mises à jour logicielles seront publiées par le fabricant pour corriger les bogues ou améliorer les fonctionnalités après la sortie du produit. Toutes les versions des logiciels publiées par le fabricant ont été vérifiées et sont toujours conformes aux règles connexes.

Tous les paramètres RF (par exemple la plage de fréquence et la puissance de sortie) ne sont pas accessibles à l'utilisateur et ne peuvent pas être modifiés par l'utilisateur.

Pour obtenir les informations les plus récentes relatives aux accessoires et aux logiciels, veuillez consulter la Déclaration de conformité (DoC) sur <http://consumer.huawei.com/certification>.

## Conformité réglementaire FCC

### Utilisation près du corps

L'appareil est conforme aux spécifications RF s'il est utilisé à l'oreille ou à une distance de 1,50 cm de votre corps. Assurez-vous que les accessoires de l'appareil, tels que le boîtier ou l'étui, ne sont pas composés d'éléments métalliques.

Conservez l'appareil à distance de votre corps afin de respecter les exigences en matière de distance.

### Informations de certification (DAS)

Cet appareil est également conçu pour répondre aux exigences d'exposition aux ondes radio établies par la Federal Communications Commission (États-Unis).

La limite DAS adoptée par les États-Unis est de 1,6 W/kg sur 1 gramme de tissu. La valeur DAS la plus élevée signalée à la FCC pour ce type d'appareil est conforme à cette limite.

La valeur DAS la plus élevée signalée à FCC pour ce type d'appareil lors de son utilisation il/elle à l'oreille est

DUB-LX1	0,58 W/kg
---------	-----------

Et lorsque correctement porté sur le corps est

DUB-LX1	0,53 W/kg
---------	-----------

Et lors de l'utilisation de la fonction point d'accès est

DUB-LX1	0,51 W/kg
---------	-----------

### Déclaration de la FCC

Cet appareil a été testé et jugé conforme aux limitations fixées pour un appareil numérique de classe B, conformément à la section 15 du Règlement de la FCC. Ces limitations ont pour objectif d'assurer une protection adéquate contre les interférences nocives dans les installations résidentielles. Cet appareil produit, utilise et peut émettre une énergie

radiofréquence et peut, si son installation et son utilisation ne correspondent pas aux instructions, occasionner des interférences préjudiciables aux communications radio. Toutefois, rien ne garantit l'absence d'interférences dans une installation donnée. Si cet appareil engendre effectivement de telles interférences préjudiciables lors de la réception d'émissions radiophoniques ou télévisées (vérifiable en éteignant puis en rallumant l'appareil), l'utilisateur peut éliminer ces interférences en appliquant une ou plusieurs des mesures suivantes :

- Réorienter ou déplacer l'antenne de réception.
- Éloigner l'appareil du récepteur.
- Connecter l'appareil dans une prise sur un circuit différent de celui du récepteur.
- Consulter le fournisseur ou un technicien expérimenté en radio/télévision.

Cet appareil est conforme aux normes fixées par la section 15 du règlement de la FCC. L'exploitation est autorisée aux deux conditions suivantes : (1) l'appareil ne doit pas causer d'interférences nuisibles, et (2) cet appareil doit accepter toute interférence reçue, y compris une interférence susceptible d'entraîner un fonctionnement indésirable.

**Attention** : Toute transformation ou modification de cet appareil, non approuvée expressément par Huawei Technologies Co., Ltd. en matière de conformité est susceptible d'annuler les droits de l'utilisateur à utiliser l'appareil.

# Mention légale

## Marques de commerce et autorisations



**HUAWEI**, **HUAWEI** et  sont des marques de commerce ou des marques déposées de Huawei Technologies Co., Ltd.

Android™ est une marque commerciale de Google Inc.

LTE est une marque de commerce de ETSI.

Le nom et les logos *Bluetooth*® sont des marques déposées *Bluetooth SIG, Inc.* et toute utilisation de ces marques par Huawei Technologies Co., Ltd. est effectuée sous licence.

Wi-Fi®, le logo Wi-Fi CERTIFIED et le logo Wi-Fi sont des marques commerciales de la Wi-Fi Alliance.

### **Politique de confidentialité**

Pour mieux comprendre comment nous protégeons vos informations personnelles, consultez la politique de confidentialité sur <http://consumer.huawei.com/privacy-policy>.



**Copyright © Huawei Technologies Co., Ltd.**

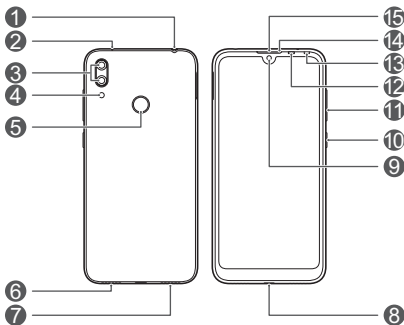
**2018. Tous droits réservés.**

CE DOCUMENT EST FOURNI À TITRE INFORMATIF  
UNIQUEMENT. IL NE CONSTITUE EN AUCUN CAS UNE FORME  
DE GARANTIE.

# Ihr Gerät auf einen Blick




Werfen wir einen Blick auf Ihr neues Gerät, bevor Sie beginnen.

- Um Ihr Gerät einzuschalten, halten Sie die Ein/Aus-Taste gedrückt, bis sich der Bildschirm einschaltet.
- Um Ihr Gerät auszuschalten, halten Sie die Ein/Aus-Taste gedrückt und berühren Sie dann .
- Halten Sie zum Neustart Ihres Geräts die Ein/Aus-Taste gedrückt und tippen Sie dann auf .
- Halten Sie die Ein/Aus-Taste mindestens 10 Sekunden lang gedrückt, um so den Neustart Ihres Geräts zu erzwingen.



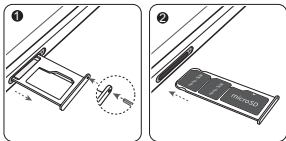
1	Headsetbuchse	2	Sekundäres Mikrofon
3	Rückkamera	4	Blitz
5	Fingerabdruckscanner	6	Lautsprecher
7	Primäres Mikrofon	8	Micro-USB-Port
9	Frontkamera	10	Ein/Aus-Taste
11	Lautstärketaste	12	Lichtsensor
13	Selfie Toning Flash	14	Statusanzeige
15	Ohrstück		

# Erste Schritte

-  Setzen Sie die SIM-Karte nicht ein bzw. entfernen Sie sie nicht, während Ihr Gerät eingeschaltet ist.
- Stellen Sie sicher, dass die Karte richtig ausgerichtet und das Kartenfach gerade in Ihr Gerät eingesetzt ist.
-  Achten Sie bei der Nutzung des SIM-Stifts darauf, dass Sie das Gerät nicht verkratzen und sich selbst nicht wehtun.
- Bewahren Sie den SIM-Stift außer Reichweite von Kindern auf, um versehentliches Verschlucken oder Verletzungen zu vermeiden.
-  Verwenden Sie keine zugeschnittenen oder veränderten SIM- oder microSD-Karten mit Ihrem Gerät, da diese möglicherweise nicht erkannt werden und dem Kartensteckplatz des Geräts schaden können.
- Wenn Ihre SIM-Karte nicht zu Ihrem Gerät passt, wenden Sie sich an Ihren Anbieter.

Folgen Sie den Anweisungen in den folgenden Abbildungen, um Ihr Gerät einzurichten. Nutzen Sie den beiliegenden SIM-Stift.

## Dual-SIM:



## Dual-Karten-Dual-Standby-Einzel-Pass (nur Dual-SIM-Geräte)

Ihr Gerät unterstützt lediglich Dual-Karten-Dual-Standby-Einzel-Pass. Dies bedeutet, dass Sie beide SIM-Karten nicht für Anrufe oder Datendienste gleichzeitig verwenden können.

- Wenn Sie gerade mit der SIM-Karte 1 telefonieren, kann die SIM-Karte 2 nicht verwendet werden, um Anrufe zu tätigen oder zu beantworten. Wenn jemand die SIM-Karte 2 anruft, hört der Anrufer eine Sprachmeldung wie "Der Teilnehmer, den Sie gewählt haben, befindet sich außerhalb des Service-Bereichs" oder "Der Teilnehmer, den Sie gewählt haben, ist zur Zeit nicht erreichbar. Versuchen Sie es später erneut." Die tatsächliche Nachricht hängt vom Netzbetreiber ab.
- Wenn Sie den Datendienst der SIM-Karte 1 verwenden, wird der Datendienst der SIM-Karte 2 deaktiviert.

Die Einzel-Pass-Funktion Ihres Geräts verringert den Stromverbrauch und steigert die Standby-Zeit Ihres Geräts. Dies steht nicht in Verbindung mit den Netzwerkbedingungen Ihres Dienstansbieters.

Gehen Sie zu **Einstellungen > Drahtlos & Netzwerke > Dual-SIM** und aktivieren Sie **Rufumleitung**, um die zuvor genannten Konflikte zu vermeiden.

## Weitere Informationen

Sollten Probleme bei der Nutzung Ihres Geräts auftreten, so erhalten Sie Hilfe über folgende Quellen:


- Gehen Sie zu **Tipps**, um Funktionsdetails und Nutzungshinweise zu erhalten.
- Gehen Sie zu <http://consumer.huawei.com/en>, um Geräteinformationen, häufig gestellte Fragen und andere Informationen anzuzeigen.
- Unter <http://consumer.huawei.com/en/support> erhalten Sie aktuelle Kontaktinformationen zu Ihrem Land oder Ihrer Region.
- Sie finden Servicehotlines, Händleradressen, Servicerichtlinien und weitere Informationen für Ihre lokale Region in **HiCare**.

Gehen Sie zu **Einstellungen** und tippen Sie auf **System** > **Über das Telefon** > **Rechtliche Hinweise**, um rechtliche Hinweise zu Ihrem Produkt zu erhalten.

Gehen Sie zu **Einstellungen** und tippen Sie auf **System** > **Über das Telefon** > **Rechtliche Hinweise** > **Sicherheitsinformationen**, um Sicherheitshinweise zu Ihrem Produkt zu erhalten.

Gehen Sie zu **Einstellungen** und tippen Sie auf **System** > **Über das Telefon** > **Authentifizierungsinformation**, um gesetzliche Informationen zu Ihrem Produkt anzuzeigen.

Gehen Sie zu **Einstellungen** und tippen Sie auf **System** > **Zertifizierungslogos**, um weitere Informationen zu Zertifizierungslogos für Ihr Produkt anzuzeigen.

-  Sämtliche Angaben auf Bildern und Illustrationen in diesem Handbuch (u. a. Gerätefarbe und -größe sowie Anzeigeeinhalte) dienen nur als Referenz. Das eigentliche Gerät kann abweichen. Die Inhalte des Handbuchs stellen in keiner Weise eine Garantie dar, weder ausdrücklich noch implizit.



# Sicherheitsinformationen

Lesen Sie sich bitte die vollständigen Sicherheitsinformationen durch, bevor Sie Ihr Gerät verwenden, um dessen sicheren und korrekten Betrieb sicherzustellen, und um zu erfahren, wie Sie Ihr Gerät ordnungsgemäß anwenden.

## Betrieb und Sicherheit



- Um Ihr Gehör zu schützen, Musik nicht längere Zeit mit zu hoher Lautstärke hören.
- Durch die Verwendung eines unzulässigen oder inkompatiblen Netzadapters, Ladegeräts oder Akkus kann Ihr Gerät beschädigt werden, seine Lebensspanne reduziert werden oder es kann zu einem Feuer, einer Explosion oder anderen Gefahren kommen.
- Ideale Betriebstemperaturen sind 0 °C bis 35 °C. Ideale Lagertemperaturen sind -20 °C bis +45 °C.
- Hersteller von Herzschrittmachern empfehlen, einen Mindestabstand von 15 cm zwischen dem Gerät und einem Herzschrittmacher einzuhalten, um potenzielle Störungen des Herzschrittmachers zu verhindern. Falls Sie einen Herzschrittmacher tragen, verwenden Sie das Gerät auf der entgegengesetzten Seite des Herzschrittmachers und tragen Sie es nicht in der Brusttasche.
- Halten Sie das Gerät und den Akku fern von übermäßiger Hitze, offenen Flammen und direkter Sonneneinstrahlung. Platzieren Sie sie nicht auf oder in Geräten, die zur Erhitzung genutzt werden, wie z.B. Mikrowellen, Wasserkocher, Backöfen und Herdplatten oder Heizungen.
- Beachten Sie beim Gebrauch des Geräts die örtlichen Gesetze und Vorschriften! Zur Vermeidung von Unfällen sollten Sie Ihr Gerät nicht während der Fahrt benutzen. Wenn Sie einen Anruf tätigen oder entgegennehmen müssen, fahren Sie rechts ran und stellen Sie das Fahrzeug zunächst ordnungsgemäß ab.
- Verwenden Sie Ihr Gerät nur entsprechend der bereitgestellten Anleitungen, wenn Sie in einem Flugzeug fliegen oder kurz vor dem Boarding stehen. Die Verwendung eines drahtlosen Geräts in einem Flugzeug kann drahtlose Netzwerke unterbrechen, was eine Gefahr

für das Betreiben eines Flugzeugs darstellen kann – oder es kann gesetzeswidrig sein.

- Um Schäden an den Teilen oder internen Stromkreisläufen Ihres Geräts zu vermeiden, verwenden Sie es nicht in staubigen, rauchigen, feuchten oder verschmutzten Umgebungen oder in der Nähe von magnetischen Feldern.
- Stellen Sie sicher, dass der Netzadapter in eine Steckdose in der Nähe des Geräts eingesteckt ist und einfach zu erreichen ist, wenn Sie das Gerät laden.
- Trennen Sie das Ladegerät von der Steckdose und vom Gerät, wenn Sie es nicht verwenden.
- Verwenden, lagern oder transportieren Sie das Mobiltelefon nicht an Orten, wo entflammbare oder explosive Materialien gelagert werden, wie beispielsweise an einer Tankstelle, einem Öldepot oder in einer chemischen Fabrik. Durch die Verwendung Ihres Mobiltelefons in diesen Umgebungen erhöht sich die Explosions- oder Brandgefahr.
- Entsorgen Sie dieses Gerät, den Akku und Zubehörteile entsprechend der lokalen Bestimmungen. Sie sollten nicht über den normalen Hausmüll entsorgt werden. Eine unsachgemäße Nutzung des Akkus kann zu einem Brand, einer Explosion oder anderen gefährlichen Situationen führen.
- Bitte konsultieren Sie Ihren Arzt und den Gerätehersteller, um herauszufinden, ob Ihr mobiles Endgerät den Betrieb Ihres medizinischen Geräts stören kann.
- Halten Sie sich an die von Krankenhäusern und Gesundheitseinrichtungen festgelegten Regeln und Bestimmungen! Verwenden Sie das Gerät nicht in Bereichen, wo dies verboten ist.

## **Explosionsfähige Atmosphäre**

Schalten Sie Ihr Gerät in Umgebungen mit explosionsfähiger Atmosphäre ab und halten Sie sich an alle Hinweisschilder und Anweisungen. Bereiche mit einer explosionsgefährdeten Atmosphäre sind zum Beispiel Bereiche, in denen Sie normalerweise den Motor Ihres Autos abschalten müssen. Das Auslösen eines Funkens könnte in solchen Bereichen eine Explosion oder einen Brand verursachen, was zu Körperverletzung oder gar zum Tod führen könnte. Schalten Sie Ihr Gerät nicht an Treibstoff- und Wartungstützpunkten, wie Tankstellen ein. Halten Sie sich an die Beschränkungen bezüglich des Gebrauchs von Funkgeräten in Tanklagern, Depots, Vertriebsanlagen und Chemiewerken. Beachten Sie außerdem die Beschränkungen in Bereichen, in denen

Sprengarbeiten durchgeführt werden. Bevor Sie das Gerät verwenden, achten Sie darauf, dass Sie sich nicht in Bereichen mit explosionsfähiger Atmosphäre befinden, da diese zwar oft, aber nicht immer klar gekennzeichnet sind. Solche Bereiche sind zum Beispiel unter Deck auf Schiffen zu finden, in Einrichtungen für chemische Transporte und Lagerung sowie an Orten, die Chemikalien oder Partikel wie Fasern, Staub oder Metallpulver enthalten. Fragen Sie die Hersteller von Fahrzeugen, die Autogas (wie zum Beispiel Propan oder Butan) verwenden, ob dieses Gerät in deren Nähe sicher verwendet werden kann.

## Hinweise zur Entsorgung und zum Recycling



Das Symbol der durchgestrichenen Abfalltonne auf Rädern auf Ihrem Produkt, Ihrer Batterie, Ihrem Informationsmaterial oder Ihrer Verpackung soll Sie daran erinnern, dass alle elektronischen Produkte und Batterien am Ende Ihrer Lebensdauer getrennt entsorgt werden müssen; sie dürfen nicht über den normalen Fluss des Haushaltsmülls entsorgt werden. Es unterliegt der Verantwortlichkeit des Benutzers, die Ausrüstung unter Verwendung einer ausgewiesenen Sammelstelle oder eines Dienstes für getrenntes Recycling von elektrischen oder elektronischen Geräten und Batterien entsprechend der Gesetze vor Ort zu entsorgen (WEEE = Waste of Electrical and Electronic Equipment = Elektro- und Elektronikgeräte-Abfall).

Die ordnungsgemäße Sammlung und das ordnungsgemäße Recycling Ihrer Ausrüstung hilft sicherzustellen, dass Abfall aus elektrischen und elektronischen Geräten so recycelt wird, dass wertvolle Materialien erhalten bleiben und die Gesundheit der Menschen und die Umwelt geschützt werden; falsche Handhabung, versehentlicher Bruch, Beschädigung und/oder falsches Recycling am Ende der Gerätelebensdauer kann für Gesundheit und Umwelt gefährlich sein. Für weitere Informationen dazu, wo und wie Sie Ihren Elektro- und Elektronikgeräte-Abfall abgeben können, kontaktieren Sie Ihre lokalen Behörden, Händler oder Entsorgungsunternehmen für Haushaltsmüll oder besuchen Sie die Webseite <http://consumer.huawei.com/en/>.

## Reduzierung von Gefahrenstoffen

Dieses Gerät und das gesamte elektrische Zubehör sind kompatibel zu anwendbaren lokalen Richtlinien zur Beschränkung der Anwendung bestimmter Gefahrenstoffe in elektrischer und elektronischer Ausrüstung, wie z. B. die Richtlinien zu REACH, RoHS und Batterien (soweit eingeschlossen) usw. der EU. Konformitätserklärungen zu REACH und RoHS finden Sie auf unserer Webseite <http://consumer.huawei.com/certification>.

## Einhaltung der EU-Bestimmungen

### Benutzung am Körper

Das Gerät entspricht den RF-Anforderungen, wenn es in der Nähe Ihres Ohres oder in einem Abstand von 0,50 cm von Ihrem Körper verwendet wird. Achten Sie darauf, keine Zubehörteile wie Euis und Tragetaschen aus Metall zu verwenden. Halten Sie das Gerät von Ihrem Körper fern, um den geforderten Abstand einzuhalten.

Der höchste gemeldete SAR-Wert für diesen Gerätetyp bei einem Test unter Verwendung am Ohr liegt bei

DUB-LX1	0,30 W/kg
---------	-----------

Wenn ordnungsgemäß am Körper getragen, beträgt er

DUB-LX1	0,55 W/kg
---------	-----------

### Erklärung

Huawei Technologies Co., Ltd. erklärt hiermit, dass dieses Gerät DUB-LX1 den wesentlichen Anforderungen und anderen relevanten Bestimmungen der Richtlinie 2014/53/EU entspricht.

Die aktuelle, gültige Version der DoC (Declaration of Conformity) ist unter <http://consumer.huawei.com/certification> abrufbar.

Dieses Gerät darf in allen Mitgliedstaaten der EU betrieben werden.

Beachten Sie bei der Nutzung des Geräts die nationalen und lokalen Vorschriften.

Die Nutzung dieses Geräts ist möglicherweise je nach Ihrem lokalen Mobilfunknetz beschränkt.

### Beschränkungen des 2,4-GHz-Frequenzbandes:

**Norwegen:** Dieser Unterabschnitt gilt nicht für das Gebiet in einem 20-km-Radius von der Mitte von Ny-Ålesund.

## Frequenzbänder und Leistung

(a) Frequenzbänder, in denen das Funkgerät betrieben wird:  
Einige Bänder sind möglicherweise nicht in allen Ländern oder

Regionen verfügbar. Wenden Sie sich für weitere Details bitte an Ihren lokalen Netzbetreiber.

(b) Maximaler Hochfrequenzstrom, der in den Frequenzbändern für den Betrieb des Funkgeräts übertragen wird: Der maximale Strom für alle Bänder liegt unter dem in der jeweiligen harmonisierten Norm angegebenen Höchstgrenzwert.

Für dieses Funkgerät gelten folgende Nenngrenzwerte für Frequenzband und (abgestrahlte und/oder leitungsgeführte) Sendeleistung:

DUB-LX1	GSM900:35dBm, GSM1800:32dBm, WCDMA900/2100:25.7dBm, LTE Band 1/3/7/8/20:25.7dBm, Wi-Fi 2.4G:20dBm, Bluetooth:10dBm
---------	--

## Informationen über Zubehör und Software

Einige Zubehörteile sind in einigen Ländern oder Regionen optional. Optionales Zubehör ist bei Bedarf bei einem lizenzierten Händler erhältlich. Folgendes Zubehör wird empfohlen:

Adapter: HW-050200X01, HW-050200X02 (X steht für die verschiedenen verwendeten Steckertypen, die je nach Region vom Typ C, U, J, E, B, A, I, R, Z oder K sein können.)

Batterien: HB406689ECW

Kopfhörer: MEND1532B528A02, 1293-3283-3.5mm-322, MEMD1532B528000, 1293#+3283# 3.5MM-150

Das Produkt weist die Softwareversion DUB-LX1: DUB-LX1 8.2.0.107(C900) auf. Zur Behebung von Fehlern oder Verbesserung von Funktionen werden nach der Produktfreigabe Softwareaktualisierungen vom Hersteller veröffentlicht. Alle vom Hersteller veröffentlichten Softwareversionen wurden überprüft und entsprechen nach wie vor den relevanten Vorschriften.

Alle HF-Parameter (z. B. Frequenzbereich und Ausgangsleistung) sind für den Benutzer unzugänglich und können nicht von diesem geändert werden.

Aktuelle Informationen über Zubehör und Software finden Sie in der DoC (Declaration of Conformity) unter <http://consumer.huawei.com/certification>.

## Einhaltung der FCC-Bestimmungen

### Benutzung am Körper

Das Gerät entspricht den RF-Anforderungen, wenn es in der Nähe Ihres Ohres oder in einem Abstand von 1,50 cm von Ihrem Körper verwendet wird. Achten Sie darauf, keine Zubehörteile wie Euis und Tragetaschen aus Metall zu

verwenden. Halten Sie das Gerät von Ihrem Körper fern, um den geforderten Abstand einzuhalten.

### **Informationen zur Zertifizierung (SAR)**

Dieses Gerät ist zudem so konzipiert, dass es die Anforderungen in Bezug auf die Exposition gegenüber Funkwellen der FCC (Federal Communications Commission; USA) erfüllt.

Der von den USA festgelegte SAR-Höchstwert liegt bei 1,6 W/kg, gemittelt über ein Gramm Körpergewebe. Der höchste für dieses Gerät ermittelte SAR-Wert, der der FCC gemeldet wurde, erfüllt diesen Grenzwert.

Der höchste SAR-Wert, der der FCC für diesen Gerätetyp bei der Nutzung am Ohr gemeldet wurde, beträgt

DUB-LX1	0,58 W/kg
---------	-----------

Wenn ordnungsgemäß am Körper getragen, beträgt er

DUB-LX1	0,53 W/kg
---------	-----------

Bei Nutzung der WLAN-Hotspot-Funktion beträgt er

DUB-LX1	0,51 W/kg
---------	-----------

### **FCC-Erklärung**

Dieses Gerät wurde getestet und entspricht gemäß Teil 15 der FCC-Regeln den Grenzwerten digitaler Geräte der Klasse B. Diese Grenzwerte sollen für die Verwendung in Wohnbereichen einen angemessenen Schutz vor funktechnischen Störungen bieten. Dieses Gerät erzeugt und verwendet Hochfrequenzenergie und kann diese abstrahlen. Wird das Gerät nicht gemäß den Anweisungen eingerichtet und verwendet, kann es technische Störungen von Funkverbindungen verursachen. Es kann jedoch nicht garantiert werden, dass bei einer spezifischen Installation keine Interferenzen auftreten. Wenn dieses Gerät schädliche Interferenzen beim Radio- oder Fernsehempfang verursacht – was Sie feststellen können, indem Sie das Gerät an- und ausschalten – empfehlen wir Ihnen, die Interferenzen mit einer oder mehreren der folgenden Maßnahmen zu korrigieren:

- Richten Sie die Empfangsantenne neu aus, oder ändern Sie ihren Standort.
- Erhöhen Sie den Abstand zwischen dem Gerät und dem Empfänger.
- Verbinden Sie das Gerät mit einer Steckdose, die mit einem anderen Stromkreis als der Receiver verbunden ist.
- Bitten Sie den Verkäufer oder einen erfahrenen Radio/Fernsehtechniker um Hilfe.

Dieses Gerät erfüllt Teil 15 der FCC-Richtlinien. Seine Nutzung unterliegt den folgenden beiden Bedingungen: (1) Dieses Gerät darf keine funktechnischen Störungen verursachen, und (2) dieses Gerät darf in seiner Funktion durch von außen verursachte Störungen nicht beeinflusst werden.

**Achtung:** Jegliche Änderungen oder Modifizierungen an diesem Gerät, die nicht ausdrücklich von Huawei Technologies Co., Ltd. hinsichtlich der Einhaltung der Richtlinien genehmigt wurden, können dazu führen, dass die Zulassung des Benutzers zum Betrieb des Gerätes verfällt.

# Rechtliche Hinweise

## Marken und Genehmigungen



**HUAWEI**, **HUAWEI** und  sind Marken oder eingetragene Marken von Huawei Technologies Co., Ltd.

Android™ ist eine Marke von Google Inc.

LTE ist eine Marke von ETSI.

Die Wortmarke *Bluetooth*® und die Logos sind eingetragene Marken von *Bluetooth SIG, Inc.* und Huawei Technologies Co., Ltd. verwendet sie unter Lizenz.

Wi-Fi®, das Logo „Wi-Fi CERTIFIED“ und das Logo „Wi-Fi“ sind Marken von Wi-Fi Alliance.

## Datenschutzrichtlinie

Damit Sie besser verstehen, wie wir Ihre persönlichen Daten schützen, lesen Sie bitte die Datenschutzrichtlinie unter <http://consumer.huawei.com/privacy-policy>.

**Copyright © Huawei Technologies Co., Ltd.**



**2018. Alle Rechte vorbehalten.**

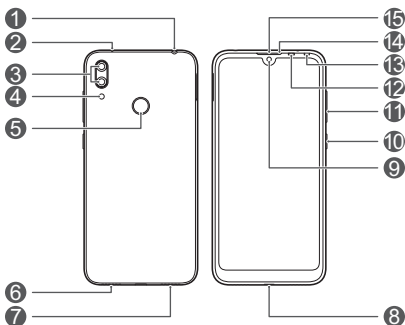
DIESES DOKUMENT DIENT NUR ZU INFORMATIONSZWECKEN UND ENTHÄLT KEINERLEI GEWÄHRLEISTUNGEN.



## Panoramica del dispositivo

Prima di iniziare, diamo uno sguardo al nuovo dispositivo.

- Per accendere il dispositivo, tenere premuto il pulsante di accensione fino all'accensione dello schermo.
- Per spegnere il dispositivo, tenere premuto il pulsante di accensione e quindi toccare .
- Per riavviare il dispositivo, tenere premuto il tasto di accensione, quindi toccare .
- Tenere premuto il pulsante di alimentazione per 10 secondi o più per forzare il riavvio del dispositivo.



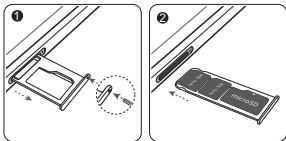
①	Entrata cuffie	②	Microfono secondario
③	Fotocamera posteriore	④	Flash
⑤	Lettore impronta	⑥	Altoparlante
⑦	Microfono principale	⑧	Porta micro-USB
⑨	Fotocamera anteriore	⑩	Tasto di alimentazione
⑪	Pulsante volume	⑫	Sensore di luminosità
⑬	Flash selfie tenue	⑭	Stato Indicatore
⑮	Auricolare		

## Operazioni preliminari

- Non inserire o rimuovere la scheda SIM quando il dispositivo è acceso.
- Assicurarsi che la scheda sia correttamente allineata e che il vassoio per schede sia a livello quando si inserisce nel dispositivo.
- Fare attenzione a non graffiare il dispositivo o ferirsi durante l'utilizzo della graffetta.
- Custodire la graffetta in posti sicuri e fuori dalla portata dei bambini in quanto potrebbe essere inghiottito o provocare lesioni accidentali.
- Non utilizzare schede SIM o microSD modificate o tagliate nel tuo dispositivo in quanto potrebbero non essere riconosciute o potrebbero danneggiare lo slot della scheda.
- Se l'alloggiamento della SIM non supporta la scheda, contattare il gestore.

Per completare l'installazione, seguire le istruzioni nelle seguenti figure. Utilizzare la graffetta fornita con il dispositivo per la rimozione.

### Dual-SIM:



## Doppia scheda doppio standby Single Pass (solo per dispositivi dual-SIM)

Il dispositivo supporta solo doppia scheda doppio standby singolo passaggio, ovvero non è possibile utilizzare entrambe le schede SIM contemporaneamente per chiamate e servizio dati.

- Quando si effettua una chiamata utilizzando la scheda SIM 1, la scheda SIM 2 non può essere utilizzata per effettuare o rispondere a eventuali chiamate. Se viene effettuata una chiamata alla scheda SIM 2, verrà riprodotto un messaggio vocale simile ai seguenti: "L'utente chiamato è fuori dall'area di servizio" o "Non è al momento possibile effettuare la connessione con l'utente chiamato. Riprovare più tardi". Il messaggio varia in base al provider di servizi.
- Quando si utilizza il servizio dati della scheda SIM 1, quello della scheda SIM 2 verrà disattivato.

La funzione singolo passaggio del dispositivo aiuta a ridurre il consumo di energia e ad aumentare il tempo di standby del dispositivo. Ciò non è legato alle condizioni della rete del provider di servizi.

È possibile accedere a **Impostazioni > Wireless e reti > Impostazioni doppia scheda** e attivare **Attiva l'inoltro chiamata tra SIM** per evitare i problemi di conflitto descritti in precedenza.

## Per ulteriori informazioni

Se si riscontrano problemi durante l'utilizzo del dispositivo, è possibile ricevere assistenza da parte delle seguenti risorse:

- Accedi a **Suggerimenti** per dettagli sulla funzione e consigli di utilizzo.
- Visitare <http://consumer.huawei.com/en> per accedere alle info del dispositivo, le domande frequenti e altri dettagli.
- Visitare <http://consumer.huawei.com/en/support> per le informazioni di contatto del Paese o della regione più aggiornate.
- Puoi trovare il servizio assistenza, gli indirizzi dei rivenditori, i regolamenti di servizio e ulteriori informazioni per la tua area in **HiCare**.

Accedere a **Impostazioni** e toccare **Sistema > Info telefono > Informazioni legali** per visualizzare le informazioni legali del prodotto.

Accedere a **Impostazioni** e toccare **Sistema > Info telefono > Informazioni legali > Informazioni sulla sicurezza** per visualizzare le informazioni di sicurezza del prodotto.

Accedere a **Impostazioni** e toccare **Sistema > Info telefono > Info autenticazione** per visualizzare le informazioni sulle normative del prodotto.

Accedere a **Impostazioni** e toccare **Sistema > Logo certificato** per visualizzare le informazioni sui loghi delle certificazioni del prodotto.



Le figure e le illustrazioni in questa guida, inclusi ma non limitati ad essi, il colore, le dimensioni ed il contenuto visualizzato sono solo a scopo di riferimento. Il dispositivo vero e proprio potrebbe variare. Nulla di questa guida costituisce garanzia di alcun tipo, esplicita o implicita.

# Informazioni sulla sicurezza

Leggere attentamente tutte le informazioni di sicurezza prima di utilizzare il dispositivo per assicurare il funzionamento sicuro e corretto e per lo smaltimento secondo le regole previste.

## Procedure e sicurezza



- Per evitare eventuali danni all'udito, evitare l'ascolto ad un volume troppo elevato e per periodi prolungati.
- L'utilizzo di un alimentatore, caricabatterie o batteria non approvati o incompatibili, potrebbero danneggiare il dispositivo, ridurre la durata o provocare incendi, esplosioni o altri pericoli.
- Le temperature di utilizzo ideali vanno da 0 °C a 35 °C. Temperature di conservazione ideali vanno da -20 °C a +45 °C.
- I produttori di pacemaker consigliano di mantenere una distanza minima di 15 cm tra il dispositivo e il pacemaker per evitare interferenze. I portatori di pacemaker devono utilizzare l'orecchio sul lato opposto rispetto al pacemaker durante le conversazioni e non riporre mai il dispositivo nel taschino sul petto.
- Conservare il dispositivo e la batteria al riparo da fuoco, fonti di calore eccessivo e luce solare diretta. Non posizionarli su o in dispositivi di riscaldamento, quali forni a microonde, scaldabagno, stufe o radiatori.
- Rispettare le norme e i regolamenti locali durante l'uso del dispositivo. Per ridurre il rischio di incidenti, non utilizzare il dispositivo wireless durante la guida. Se si deve effettuare o rispondere a una chiamata, arrestare il veicolo in un luogo sicuro.
- Durante il volo in aereo o immediatamente prima dell'imbarco, utilizzare il dispositivo secondo le istruzioni fornite. L'uso di dispositivi wireless in aereo può interferire con le reti wireless, costituire pericolo per le operazioni di volo e in altri casi, essere proibito dalla legge.
- Per evitare danni a parti del dispositivo o circuiti interni, non utilizzarlo in ambienti polverosi, umidi o sporchi, esposti al fumo o vicino a campi magnetici.

- Durante la fase di carica, accertarsi che l'alimentatore sia inserito in una presa di corrente vicina ai dispositivi e facilmente raggiungibile.
- Quando non in uso, scollegare il caricabatteria dalla presa di corrente e dal dispositivo.
- Non utilizzare, conservare o trasportare il dispositivo in ambienti in cui sono presenti prodotti infiammabili o esplosivi quali, ad esempio, le stazioni di rifornimento, i depositi petroliferi o gli stabilimenti chimici. L'uso del dispositivo in questi ambienti aumenta il rischio di esplosione o incendi.
- Smaltire questo dispositivo, la batteria e gli accessori secondo le normative locali. Non devono essere smaltiti come normali rifiuti domestici. L'uso improprio della batteria potrebbe causare un incendio, un'esplosione o altri eventi pericolosi.
- Consultare il proprio medico e il produttore del dispositivo per stabilire se l'utilizzo del dispositivo può interferire con il funzionamento di eventuali dispositivi medici.
- Seguire le disposizioni e le norme stabilite dalle strutture ospedaliere e sanitarie. Non usare il dispositivo quando ciò è vietato.

## **Ambiente a rischio di esplosione**

Spegnere sempre il dispositivo nelle aree a rischio di esplosione e attenersi scrupolosamente a tutti i segnali e le istruzioni. Le aree a rischio di esplosione comprendono quelle in cui si raccomanda generalmente di spegnere il motore dell'auto. L'emissione di scintille in tali aree potrebbe provocare deflagrazioni o incendi, con conseguenti lesioni fisiche anche mortali. Non accendere il dispositivo nelle aree di rifornimento carburante, come le stazioni di servizio. Attenersi alle restrizioni sull'uso delle apparecchiature radio nelle aree di deposito, stoccaggio e distribuzione di carburante e negli impianti chimici. Inoltre, osservare le restrizioni applicabili all'interno delle aree in cui sono utilizzati esplosivi. Prima di utilizzare il dispositivo, accertarsi di non trovarsi in vicinanze di aree a rischio di esplosione. In genere, ma non sempre, queste aree sono segnalate chiaramente. Alcuni esempi sono la sottocoperta delle navi, le strutture per lo stoccaggio o il trasferimento di sostanze chimiche e le aree in cui vi sono sostanze o particelle chimiche disperse nell'atmosfera, come pulviscolo e polveri metalliche. Prima di utilizzare il dispositivo in prossimità di un veicolo GPL, chiedere informazioni al fabbricante.

## Informazioni sullo smaltimento e sul riciclo



Il simbolo barrato sull'icona del cassonetto presente sulla batteria, sulla documentazione o sulla confezione segnala che tutti i prodotti elettronici e le batterie devono essere separate in punti di raccolta dei rifiuti una volta terminato l'utilizzo; non devono essere smaltiti nel normale flusso dei rifiuti insieme ai rifiuti domestici. È responsabilità dell'utente smaltire l'apparecchiatura utilizzando un punto di raccolta o un servizio per il riciclo di rifiuti di apparecchiature elettriche ed elettroniche (RAEE) e batterie secondo le leggi vigenti. La raccolta e il riciclaggio delle apparecchiature in maniera corretta contribuisce a garantire il riutilizzo di rifiuti AEE in un modo da prelevare materiali preziosi e protegge la salute e l'ambiente. L'uso improprio, rotture accidentali, danni, e/o il riciclaggio improprio possono risultare dannosi per la salute e per l'ambiente. Per ulteriori informazioni su dove e come per scaricare i rifiuti AEE, contattare le autorità locali, rivenditori, il servizio di smaltimento rifiuti locale o visitare il sito <http://consumer.huawei.com/en/>.

### Riduzione delle sostanze pericolose

Questo dispositivo e gli accessori elettrici sono conformi alle norme applicabili locali sulla restrizione e uso di determinate sostanze pericolose nelle apparecchiature elettriche ed elettroniche, come UE REACH, RoHS e batterie (se incluse) i regolamenti, ecc. Per dichiarazioni di conformità su REACH e RoHS, si prega di visitare il nostro sito <http://consumer.huawei.com/certification>.

### Conformità alla normativa UE

#### Utilizzo a contatto con il corpo

Il dispositivo è conforme alle specifiche RF quando viene utilizzato accostato all'orecchio o a una distanza di 0,50 cm dal corpo. Verificare che gli accessori del dispositivo, come astucci o custodie, non abbiano componenti metalliche. Mantenere sempre il dispositivo lontano dal corpo per rispettare i requisiti sulla distanza.

In questo caso, il valore massimo di SAR riportato per questo tipo di dispositivo a contatto con l'orecchio è

DUB-LX1	0,30 W/kg
---------	-----------

E quando indossato correttamente sul corpo è

DUB-LX1	0,55 W/kg
---------	-----------

### Dichiarazione

Con il presente documento, Huawei Technologies Co., Ltd. dichiara che il dispositivo DUB-LX1 è conforme ai requisiti essenziali e alle altre disposizioni applicabili della Direttiva 2014/53/EU.

La versione più recente e valida della DoC (Dichiarazione di conformità) può essere visualizzata su <http://consumer.huawei.com/certification>.

Questo dispositivo può essere utilizzato in tutti gli stati membri dell'Unione Europea.

Rispettare le leggi nazionali e locali durante l'uso del dispositivo.

L'uso di questo dispositivo può essere limitato a seconda della rete locale.

### Limitazioni nella banda dei 2,4 GHz:

**Norvegia:** questa sottosezione non si applica all'area geografica entro un raggio di 20 km dal centro di Ny-Ålesund.

### Potenza e bande di frequenza

(a) Bande di frequenza in cui operano le apparecchiature radio: Alcune bande potrebbero non essere disponibili in tutti i Paesi o tutte le aree. Contattare l'operatore locale per maggiori dettagli.

(b) La massima potenza a radiofrequenza trasmessa nelle bande di frequenza in cui opera l'apparecchiatura radio: La massima potenza per tutte le bande è inferiore al valore limite più elevato specificato nella relativa Norma armonizzata. I limiti nominali della bande di frequenza e della potenza trasmessa (irradiata e/o condotta) validi per quest'apparecchiatura radio sono i seguenti:

DUB-LX1	GSM900:35dBm, GSM1800:32dBm, WCDMA900/2100:25.7dBm, LTE Band 1/3/7/8/20:25.7dBm, Wi-Fi 2.4G:20dBm, Bluetooth:10dBm
---------	--

### Informazioni su accessori e software

Alcuni accessori sono opzionali in determinati paesi o regioni. Gli accessori opzionali possono essere acquistati da un fornitore con licenza, come richiesto. Si consiglia l'utilizzo dei seguenti accessori:

Adattatori: HW-050200X01, HW-050200X02 (X rappresenta i diversi tipi di presa utilizzati, che possono essere C, U, J, E, B, A, I, R, Z o K, in base alla regione)



Batterie: HB406689ECW

Auricolari: MEND1532B528A02, 1293-3283-3.5mm-322,  
MEMD1532B528000, 1293#+3283# 3.5MM-150

La versione del software del prodotto è DUB-LX1: DUB-LX1 8.2.0.107(C900). Gli aggiornamenti del software verranno pubblicati dal produttore per correggere bug e migliorare le funzioni in seguito alla commercializzazione del prodotto. Tutte le versioni del software pubblicate dal produttore sono state verificate e sono ancora conformi alle relative normative. Tutti i parametri RF (come intervallo di frequenza e potenza in uscita) non sono accessibili all'utente, il quale non può modificarli.

Per le informazioni più recenti su accessori e software, consultare la DoC (Dichiarazione di conformità) su <http://consumer.huawei.com/certification>.

## Conformità alla normativa FCC

### Utilizzo a contatto con il corpo

Il dispositivo è conforme alle specifiche RF quando viene utilizzato accostato all'orecchio o a una distanza di 1,50 cm dal corpo. Verificare che gli accessori del dispositivo, come astucci o custodie, non abbiano componenti metalliche. Mantenere sempre il dispositivo lontano dal corpo per rispettare i requisiti sulla distanza.

### Informazioni sulla certificazione (SAR)

Il dispositivo è stato progettato anche per soddisfare i requisiti di esposizione alle onde radio stabiliti da Federal Communications Commission (Stati Uniti).

Il limite SAR adottato negli Stati Uniti è 1,6 W/kg su una media di un grammo di tessuto. Il valore SAR più alto notificato alla FCC per questo tipo di dispositivo è conforme a tale limite.

Il valore SAR più alto riportato alla FCC per questo tipo di dispositivo quando lo si usa nell' orecchio è

DUB-LX1	0,58 W/kg
---------	-----------

E quando indossato correttamente sul corpo è

DUB-LX1	0,53 W/kg
---------	-----------

E quando si utilizza la funzione hotspot Wi-Fi è

DUB-LX1	0,51 W/kg
---------	-----------

### Dichiarazione FCC

questa apparecchiatura è stata collaudata ed è risultata conforme ai limiti per i dispositivi digitali di classe B, ai sensi della Parte 15 delle Norme FCC. Questi limiti sono stati fissati al fine di garantire un'adeguata protezione contro le

interferenze dannose in ambito domestico. Questa apparecchiatura genera, utilizza e può emanare radiofrequenze e, se non installata e utilizzata secondo le istruzioni, può interferire con le comunicazioni radio. Tuttavia, non è possibile garantire che una determinata installazione non generi interferenze. Nel caso in cui questa apparecchiatura generi interferenze dannose alla ricezione televisiva e radio, eventualità che può essere riscontrata accendendo e spegnendo l'apparecchiatura, si consiglia di provare a correggere l'interferenza adottando una o più misure tra le seguenti:

- Riorientare o riposizionare l'antenna ricevente.
  - Aumentare la distanza tra l'apparecchio e il ricevitore.
  - Collegare l'apparecchio a una presa su un circuito diverso da quello a cui è collegato il ricevitore.
  - Consultare il rivenditore o un tecnico radio/TV per assistenza.
- Questo dispositivo è conforme alla Parte 15 della Normativa FCC. L'utilizzo è soggetto alle due condizioni indicate di seguito: (1) questo dispositivo non deve causare interferenze dannose e (2) questo dispositivo deve accettare le interferenze ricevute, comprese quelle che possono causare un funzionamento indesiderato.

**Attenzione:** ogni cambiamento o modifica apportata al dispositivo non espressamente approvati da Huawei Technologies Co., Ltd. per la conformità annulla l'autorizzazione all'utilizzo del dispositivo da parte dell'utente.

# Note legali

## Marchi e autorizzazioni



**HUAWEI**, **HUAWEI** e  sono marchi o marchi registrati di Huawei Technologies Co., Ltd.

Android™ è un marchio di Google Inc.

LTE è un marchio di ETSI.

Il marchio e i loghi *Bluetooth*® sono marchi registrati di proprietà di *Bluetooth SIG, Inc.* e ogni uso di tali marchi da parte di Huawei Technologies Co., Ltd. avviene in conformità con quanto previsto dalla licenza.

Wi-Fi®, il logo Wi-Fi CERTIFIED e Wi-Fi sono dei marchi Wi-Fi Alliance.

## Informativa sulla privacy

Per comprendere meglio come proteggere le informazioni personali, consultare l'informativa sulla privacy in <http://consumer.huawei.com/privacy-policy>.



**Copyright © Huawei Technologies Co., Ltd.**

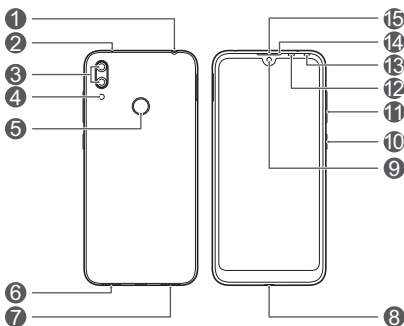
**2018. Tutti i diritti riservati.**

LA FINALITÀ DEL PRESENTE DOCUMENTO È PURAMENTE INFORMATIVA E NON COSTITUISCE ALCUN TIPO DI GARANZIA.

## Descripción rápida del dispositivo

Antes de comenzar, observemos el dispositivo nuevo.




- Para encender el dispositivo, mantenga pulsado el botón de encendido/apagado hasta que la pantalla se encienda.
- Para apagar el dispositivo, mantenga pulsado el botón de encendido/apagado y, a continuación, pulse .
- Para reiniciar el dispositivo, mantenga pulsado el botón de encendido/apagado y después pulse .
- Mantenga pulsado el botón de encendido/apagado durante 10 segundos o más para reiniciar el dispositivo forzosamente.



1	Entrada para auriculares	2	Micrófono secundario
3	Cámara posterior	4	Flash
5	Sensor de huellas digitales	6	Altavoz
7	Micrófono principal	8	Puerto micro-USB
9	Cámara frontal	10	Botón de encendido/apagado
11	Botón de volumen	12	Sensor de luz
13	Efecto flash tonalizador para selfies	14	Indicador de estado

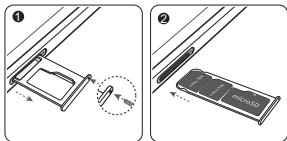
15	Auricular		
----	-----------	--	--

## Pasos iniciales

-  No inserte ni extraiga la tarjeta SIM con el dispositivo encendido.
  - Asegúrese de que la tarjeta esté correctamente alineada y de que la bandeja esté nivelada cuando la inserte en el dispositivo.
-  Tenga cuidado al usar la herramienta para extraer la tarjeta, ya que podría lastimarse o rayar el dispositivo.
  - Guarde dicha herramienta fuera del alcance de los niños para evitar que se lastimen o la ingieran.
-  No coloque tarjetas SIM ni microSD recortadas ni modificadas en el dispositivo, ya que es posible que no las reconozca y que dañen la bandeja (ranura).
  - Si la tarjeta SIM no coincide con su dispositivo, póngase en contacto con su operador.

Siga las instrucciones que se muestran en las figuras para configurar el dispositivo. Utilice la herramienta de extracción incluida.

### Dos SIM:



## Dos tarjetas no simultáneas (únicamente dispositivos con dos tarjetas SIM)

El dispositivo admite solo dos tarjetas. Sin embargo, no se pueden utilizar ambas tarjetas SIM para llamadas ni servicios de datos en simultáneo.

- Cuando está en una llamada con la tarjeta SIM 1, no se puede usar la tarjeta SIM 2 para hacer ni responder llamadas. Si se recibe una llamada en la SIM 2, el usuario llamante escuchará un mensaje de voz que dice "El abonado llamado está fuera del área de servicio." o "No se puede establecer la conexión con el abonado llamado en este momento. Inténtelo más tarde". El mensaje real puede variar según el operador.
- Cuando se utiliza el servicio de datos de la SIM 1, el servicio de datos no está disponible en la SIM 2.

La función de uso único permite reducir el consumo de energía e incrementar el tiempo en espera del dispositivo. No se relaciona con las condiciones de la red de su operador.

Puede acceder a **Ajustes > Conexiones inalámbricas y redes > Ajustes de tarjetas SIM** y habilitar **Habilitar el desvío de llamadas entre las SIM** para evitar los conflictos mencionados.

## Más información

Si experimenta algún problema cuando utiliza el dispositivo, puede obtener ayuda de las siguientes formas:


- Acceda a **Sugerencias** para obtener detalles de las funciones y sugerencias de uso.
- Visite <http://consumer.huawei.com/en> para ver la información del dispositivo, las preguntas frecuentes y demás información.
- Acceder a <http://consumer.huawei.com/en/support> para obtener la información de contacto más actualizada correspondiente a su país o región.
- Acceda a **HiCare** para consultar la línea de atención del servicio, la ubicación de las tiendas minoristas, las políticas del servicio y demás información para su región.

Acceder a **Ajustes** y pulsar **Sistema > Acerca del teléfono > Aviso legal** para consultar la información legal del producto.

Acceder a **Ajustes** y pulsar **Sistema > Acerca del teléfono > Aviso legal > Información de seguridad** para consultar la información de seguridad del producto.

Acceder a **Ajustes** y pulsar **Sistema > Acerca del teléfono > Información de autenticación** para consultar la información regulatoria del producto.

Acceder a **Ajustes** y pulsar **Sistema > Logotipos de certificación** para consultar más información sobre los logotipos de las certificaciones del producto.

-  Todas las imágenes e ilustraciones de esta guía, lo que incluye, a título meramente enunciativo, el color y el tamaño del dispositivo y los contenidos que aparecen en la pantalla, son solo para fines de referencia. Es posible que el dispositivo real sea distinto. El contenido de esta guía no constituye garantía de ningún tipo, ni expresa ni implícita.



# Información de seguridad

Lea cuidadosamente toda la información de seguridad antes de utilizar el dispositivo a fin de garantizar un funcionamiento seguro y adecuado, y saber cómo desechar correctamente el dispositivo.

## Condiciones de uso y seguridad



- Para evitar daños al oído, no escuche música a un volumen muy elevado por periodos prolongados.
- El uso de baterías, cargadores o adaptadores de alimentación no autorizados o incompatibles puede dañar el dispositivo, reducir la vida útil y generar incendios, explosiones u otras situaciones peligrosas.
- Las temperaturas de operación ideales oscilan entre los 0 °C y los 35 °C. Las temperaturas de almacenamiento ideales oscilan entre los -20 °C y los +45 °C.
- Los fabricantes de marcapasos recomiendan mantener una distancia mínima de 15 cm entre el teléfono móvil y un marcapasos para evitar posibles interferencias. En caso de tener un marcapasos, use el teléfono en el lado opuesto y no lo lleve en el bolsillo delantero.
- Mantenga el dispositivo y la batería alejados del fuego, el calor excesivo y la luz directa del sol. No lo coloque sobre equipos de calentamiento, como hornos microondas, calentadores de agua, cocinas o radiadores, ni dentro de ellos.
- Cumpla con las normas locales cuando usa el dispositivo. Para reducir el riesgo de accidentes, no utilice el dispositivo inalámbrico mientras conduce. Si debe realizar o responder una llamada, detenga el vehículo en un lugar seguro.
- Mientras se encuentre a bordo de un avión o inmediatamente antes de abordar, solo utilice el dispositivo de conformidad con las instrucciones proporcionadas. El uso de dispositivos inalámbricos en un avión puede interferir con las redes inalámbricas y resultar peligroso para el funcionamiento de este. Además, puede ser ilegal.
- Para evitar daños en las piezas o circuitos internos del dispositivo, no lo utilice en entornos que presenten polvo, humo, humedad o suciedad ni próximos a campos magnéticos.

- Cuando cargue el dispositivo, asegúrese de que el adaptador de alimentación esté enchufado cerca de los dispositivos y que sea de fácil acceso.
- Desenchufe el cargador de la toma de energía y del dispositivo cuando no esté siendo utilizado.
- No utilice, guarde ni transporte el dispositivo en áreas donde se almacenen elementos inflamables o explosivos (por ejemplo, gasolineras, depósitos de aceite o plantas químicas). El uso del dispositivo en este tipo de entornos aumenta el riesgo de explosión o incendio.
- Deseche este dispositivo, la batería y los accesorios de conformidad con las normas locales. No deben desecharse con los residuos domésticos comunes. El uso no adecuado de la batería puede generar incendios, explosiones u otras situaciones peligrosas.
- Comuníquese con su médico y con el fabricante del dispositivo para saber si el uso de su dispositivo puede interferir con algún dispositivo médico.
- Cumpla con las reglas y normas vigentes de los hospitales y centros de salud. No utilice el dispositivo en lugares donde su uso esté prohibido.

### **Ambientes con riesgo de explosión**

Apague el dispositivo al encontrarse en un entorno potencialmente explosivo, y cumpla con todas las instrucciones e indicaciones pertinentes. Entre las áreas que pueden tener entornos potencialmente explosivos se encuentran aquellas en las que normalmente se le recomendaría apagar el motor de su vehículo. En estas áreas, las chispas pueden provocar explosiones o un incendio, lesiones e incluso la muerte. No encienda el dispositivo en establecimientos de recarga de combustible, como gasolineras. Respete las restricciones relativas al uso de equipos de radio en zonas de depósito, almacenamiento y distribución de combustible, así como en plantas químicas. Asimismo, respete las restricciones vigentes en áreas donde se ejecutan detonaciones. Antes de usar el dispositivo, asegúrese de no encontrarse en áreas con entornos potencialmente explosivos. Estas áreas suelen estar claramente señalizadas, pero esto no siempre es así. Entre dichas áreas se encuentran: las zonas debajo de las cubiertas de los barcos, las instalaciones de almacenamiento o transporte de productos químicos y las zonas en las que el aire contiene sustancias químicas o partículas, como granos, polvo o briznas de metal. Consulte al fabricante de vehículos que utilicen gas licuado de petróleo (como propano o butano) si el

dispositivo puede ser utilizado sin riesgos cerca de dichos vehículos.

## **Información sobre eliminación de residuos y reciclaje**



El símbolo del contenedor con ruedas tachado en el producto, la batería, la documentación o la caja le recuerda que todos los productos electrónicos y las baterías deben llevarse a puntos de recolección de residuos separados cuando finalicen sus ciclos de vida; no se deben desechar en la cadena normal de residuos con la basura doméstica. Es responsabilidad del usuario desechar los dispositivos en un punto o servicio de recolección designado para el reciclaje separado de residuos de aparatos eléctricos y electrónicos (WEEE) así como las baterías, de conformidad con las leyes locales.

La adecuada recolección y reciclaje de los dispositivos permite garantizar que los residuos de EEE sean reciclados de manera tal de conservar los materiales de valor y proteger la salud humana y el medioambiente; el manejo inadecuado, la ruptura accidental, el daño y/o el reciclaje inadecuado al término de su vida útil puede ocasionar daño a la salud y al medioambiente. Para obtener más información sobre dónde y cómo desechar los residuos de aparatos eléctricos y electrónicos, comuníquese con las autoridades locales, el minorista o el servicio de eliminación de residuos domésticos, o visite el sitio web <http://consumer.huawei.com/en/>.

## **Restricción del uso de sustancias peligrosas**

Este dispositivo y sus accesorios electrónicos cumplen con las normas locales aplicables sobre la restricción de uso de ciertas sustancias peligrosas en equipos eléctricos y electrónicos, como las normas EU REACH, RoHS y de baterías (en caso de corresponder), entre otras. Para acceder a las declaraciones de conformidad sobre REACH y RoHS, visite nuestro sitio web <http://consumer.huawei.com/certification>.

## **Cumplimiento de las normas de la Unión Europea**

### **Utilización del teléfono cerca del cuerpo**

El dispositivo cumple con las especificaciones de RF siempre que se use cerca del oído o a una distancia de 0,50 cm del

cuerpo. Asegúrese de que los accesorios del dispositivo, tales como el estuche o la funda, no estén hechos de metal. Mantenga el dispositivo alejado del cuerpo para cumplir con el requerimiento relacionado con la distancia mencionada.

El valor SAR más alto informado para este tipo de dispositivo cuando se usa cerca del oído es

DUB-LX1	0,30 W/kg
---------	-----------

Cuando se lleva el dispositivo correctamente sobre el cuerpo, el valor es

DUB-LX1	0,55 W/kg
---------	-----------

### **Declaración**

Huawei Technologies Co., Ltd. por el presente declara que este dispositivo DUB-LX1 cumple con los requisitos esenciales y otras disposiciones pertinentes de la Directiva 2014/53/EC. La versión de DoC (declaración de cumplimiento) más reciente en vigencia se puede ver <http://consumer.huawei.com/certification>.

Este dispositivo puede ser utilizado en todos los estados miembro de la Unión Europea.

Cumpla con las reglas nacionales y locales del lugar donde se utilice el dispositivo.

El uso de este dispositivo puede estar restringido dependiendo de la red local.

### **Restricciones de la banda de 2.4 GHz**

**Noruega:** este inciso no es aplicable a las áreas geográficas ubicadas dentro de un radio de 20 kilómetros del centro de Ny-Ålesund.

### **Bandas de frecuencia y potencia**

(a) Bandas de frecuencia en las cuales funciona el equipo de radio: es posible que algunas bandas no estén disponibles en todos los países o en todas las áreas. Comuníquese con el operador local para obtener más detalles.

(b) Potencia máxima de radiofrecuencia transmitida en las bandas de frecuencia en las cuales funciona el equipo de radio: la potencia máxima para todas las bandas es menor que el límite más alto especificado en la norma armonizada relacionada.

Las bandas de frecuencia y los límites nominales de la potencia de transmisión (irradiada o conducida) aplicables a este equipo de radio son los siguientes:

DUB-LX1	GSM900:35dBm, GSM1800:32dBm, WCDMA900/2100:25.7dBm, LTE Band 1/3/7/8/20:25.7dBm, Wi-Fi 2.4G:20dBm, Bluetooth:10dBm
---------	--

## Información de software y accesorios

Algunos accesorios son opcionales en ciertos países o determinadas regiones. Es posible adquirir accesorios opcionales de un proveedor con licencia, de ser necesario. Se recomienda la utilización de los siguientes accesorios:

Adaptadores: HW-050200X01, HW-050200X02 (X representa los tipos de conectores utilizados, que pueden ser C, U, J, E, B, A, I, R, Z o K, según la región)

Baterías: HB406689ECW

Auriculares: MEND1532B528A02, 1293-3283-3.5mm-322, MEMD1532B528000, 1293#+3283# 3.5MM-150

La versión de software del producto es DUB-LX1: DUB-LX1 8.2.0.107(C900). Una vez que el producto haya sido lanzado, el fabricante lanzará actualizaciones de software para solucionar errores o mejorar funciones. Todas las versiones de software lanzadas por el fabricante han sido verificadas y cumplen con las reglas pertinentes.

Los parámetros de RF (por ejemplo, el rango de frecuencia y la potencia de salida) no son accesibles para el usuario y, por lo tanto, no puede modificarlos.

Para consultar la información más actualizada sobre accesorios y software, consulte la DoC (Declaración sobre cumplimiento) en <http://consumer.huawei.com/certification>.

## Cumplimiento de las normas de la FCC

### Utilización del teléfono cerca del cuerpo

El dispositivo cumple con las especificaciones de RF siempre que se use cerca del oído o a una distancia de 1,50 cm del cuerpo. Asegúrese de que los accesorios del dispositivo, tales como el estuche o la funda, no estén hechos de metal.

Mantenga el dispositivo alejado del cuerpo para cumplir con el requerimiento relacionado con la distancia mencionada.

### Información de certificación (SAR)

El dispositivo también está diseñado para cumplir con los requerimientos de exposición a ondas de radio establecidos por la Comisión Federal de Comunicaciones (EE. UU.).

El límite SAR adoptado por los EE. UU. es de 1,6 W/kg en promedio cada un gramo de tejido. El valor SAR más alto informado a la FCC para este tipo de dispositivos cumple con este límite.

El valor SAR más alto informado a la FCC para este tipo de dispositivo cuando se usa cerca del oído es

DUB-LX1	0,58 W/kg
---------	-----------

Cuando se lleva el dispositivo correctamente sobre el cuerpo, el valor es

DUB-LX1	0,53 W/kg
---------	-----------

Cuando la función Zona Wi-Fi está habilitada, el valor es

DUB-LX1	0,51 W/kg
---------	-----------

### **Declaración de cumplimiento de las normas de la FCC**

Este equipo ha sido probado, y se ha demostrado que cumple con los límites establecidos para equipos digitales de Clase B, conforme con la Sección 15 de las Normas de la FCC. Dichos límites se han establecido a los fines de garantizar una protección razonable contra las interferencias perjudiciales en instalaciones residenciales. Este dispositivo genera, utiliza y puede irradiar energía de radiofrecuencia. De no ser instalado o utilizado de acuerdo con las instrucciones pertinentes, puede causar interferencias perjudiciales a las comunicaciones de radio. Sin embargo, no existen garantías de que no se producirán interferencias en una instalación en particular. Si este equipo causa interferencias perjudiciales a la recepción de señales de televisión o radio, lo cual puede detectarse al apagar y encender el equipo, se recomienda al usuario tratar de corregir las interferencias por medio una o más de las siguientes medidas:

- Reoriente o reubique la antena receptora.
- Aumente la distancia entre el equipo y el receptor.
- Conecte el dispositivo a la toma de corriente de un circuito que no sea aquel donde está conectado el receptor.
- Consulte al distribuidor o solicite la asistencia de un técnico con experiencia en el funcionamiento de equipos de radio y televisión.

Este dispositivo cumple con la Sección 15 de las normas de la FCC. El funcionamiento se encuentra sujeto a las siguientes dos condiciones: 1) no debe ocasionar interferencias perjudiciales, y 2) debe aceptar todas las interferencias recibidas, lo que incluye aquellas que puedan ocasionar un funcionamiento no deseado.

**Precaución:** Las modificaciones o los cambios no expresamente aprobados por Huawei Technologies Co., Ltd. podrían invalidar el permiso del usuario a operar el equipo.

# Aviso legal

## Marcas comerciales y permisos



**HUAWEI**, **HUAWEI** y  son marcas comerciales o registradas de Huawei Technologies Co., Ltd.

Android™ es una marca comercial de Google Inc.

LTE es una marca comercial de ETSI.

Los logotipos y la marca denominativa *Bluetooth*® son marcas registradas propiedad de *Bluetooth SIG, Inc.* y todo uso de dichas marcas por parte de Huawei Technologies Co., Ltd. está sometido a un acuerdo de licencia.

Wi-Fi®, el logotipo de Wi-Fi CERTIFIED y el logotipo de Wi-Fi son marcas comerciales de Wi-Fi Alliance.

## Política de privacidad

Para comprender cómo protegemos su información personal, consulte la política de privacidad en <http://consumer.huawei.com/privacy-policy>.



**Copyright © Huawei Technologies Co., Ltd.**

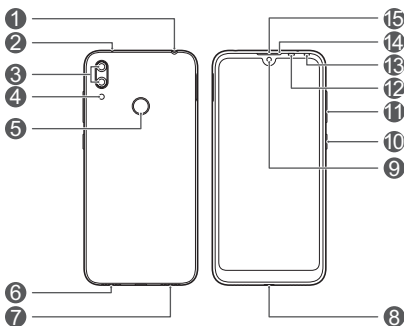
**2018. Reservados todos los derechos.**

ESTE DOCUMENTO ES MERAMENTE INFORMATIVO Y NO CONSTITUYE NINGÚN TIPO DE GARANTÍA.

## Breve descrição do dispositivo

Antes de começar, vamos apresentar-lhe o seu novo dispositivo.

- Para ligar o dispositivo, prima sem soltar o botão Ligar até que o ecrã acenda.
- Para desligar o dispositivo, prima continuamente o botão Ligar, e depois toque em .
- Prima continuamente o ligar/desligar e toque em  para reiniciar o dispositivo.
- Prima continuamente a tecla ligar/desligar durante 10 ou mais segundos para reiniciar o dispositivo.



1	Entrada para auriculares	2	Microfone secundário
3	Câmara traseira	4	Flash
5	Leitor de impressões digitais	6	Altifalante
7	Microfone primário	8	Porta microUSB
9	Câmara frontal	10	Botão ligar/desligar
11	Botão do volume	12	Sensor de luz
13	Selfie efeito de sombra borboleta	14	Indicador de estado
15	Auscultador		

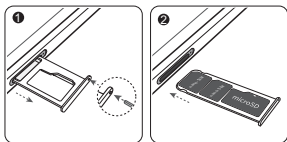


# Introdução

- Não insira ou remova o cartão SIM quando o dispositivo se encontra ligado.
- Certifique-se de que o cartão se encontra alinhado corretamente e que o tabuleiro de cartões está nivelado quando o insere no dispositivo.
- Tenha em atenção para não riscar o dispositivo a magoar-se quando utilizar a ferramenta de ejeção.
- Armazene a ferramenta fora do alcance das crianças de modo a evitar a ingestão acidental ou danos pessoais.
- Não utilize cartões SIM ou microSD modificados ou cortados, é possível que não sejam reconhecidos e poderão ainda danificar a bandeja (ou a ranhura) dos cartões.
- Contacte a operadora se o dispositivo não suportar o cartão SIM.

Siga as instruções nas figuras seguintes para configurar o dispositivo. Utilize a ferramenta de ejeção incluída.

## Dual SIM:



## Modo de espera único para dois cartões SIM (para dispositivos Dual SIM)

O dispositivo apenas suporta o modo de espera único para dois cartões SIM, o que significa que não pode utilizar os dois cartões para chamadas ou serviços de dados em simultâneo.

- Quando está numa chamada com o cartão SIM 1, o cartão SIM 2 não pode ser usado para efetuar ou atender chamadas. Se alguém ligar para o cartão SIM 2, o autor da chamada irá ouvir uma mensagem de voz semelhante a "O número para o qual ligou encontra-se fora da área de serviço" ou "O número para o qual ligou, de momento, não pode ser contactado. Tente novamente mais tarde." A mensagem varia consoante a operadora.
- Quando está a utilizar o serviço de dados do cartão SIM 1, o serviço de dados do cartão SIM 2 será desativado.

A funcionalidade de espera único do dispositivo ajuda a reduzir o consumo de energia e aumenta o tempo de espera do dispositivo. Não está relacionada com as condições de rede da sua operadora.

Aceda a **Definições > Redes sem fios e outras > Definições dos cartões SIM**, e ative **Reencaminhar chamadas entre os SIM** para evitar os conflitos mencionados acima.

## Para mais informações

Se tiver algum problema durante a utilização do dispositivo, poder obter ajuda nos seguintes recursos:


- Aceda a **Dicas** para mais informações sobre funções e sugestões de utilização.
- Visitar <http://consumer.huawei.com/en> para consultar informações sobre o dispositivo, perguntas frequentes e outras informações.
- Visite <http://consumer.huawei.com/en/support> para as informações de contacto mais atualizadas para o seu país ou região.
- A função **HiCare** permite encontrar linhas diretas de apoio ao cliente, moradas de lojas físicas, políticas de serviço e mais informações referentes à sua região.

Aceda a **Definições** e toque em **Sistema > Sobre o telefone > Informações legais** para ver informações legais para o seu produto.

Aceda a **Definições** e toque em **Sistema > Sobre o telefone > Informações legais > Informações de segurança** para ver informações de segurança para o seu produto.

Aceda a **Definições** e toque em **Sistema > Sobre o telefone > Informação de autenticação** para ver informações regulamentares para o seu produto.

Aceda a **Definições** e toque em **Sistema > Logos de certificação** para ver informações sobre certificações para o seu produto.

-  Todas as imagens e ilustrações neste guia, incluindo, sem limitação, a cor, o tamanho e o conteúdo do visor do dispositivo, são unicamente para referência. O dispositivo real pode variar. Nada neste guia constitui uma garantia de qualquer tipo, expressa ou implícita.

# Informações de segurança

Leia toda a informação de segurança atentamente antes de utilizar o seu dispositivo para assegurar o seu funcionamento seguro e adequado e para aprender como se desfazer do seu dispositivo corretamente.

## Operação e segurança



- Para prevenir possíveis danos de audição, não coloque o volume em níveis demasiado altos durante longos períodos.
- A utilização de adaptadores de energia, carregadores ou baterias incompatíveis ou não aprovadas podem danificar o seu dispositivo, diminuir a sua duração ou causar fogos, explosão ou outros perigos.
- A temperatura ideal de operação é de 0 °C até 35 °C. A temperatura ideal de armazenamento é de -20 °C até +45 °C.
- Os fabricantes de pacemakers recomendam que se mantenha uma distância mínima de 15 cm entre um dispositivo e um pacemaker a fim de prevenir uma potencial interferência com o pacemaker. Se utilizar um pacemaker, mantenha o dispositivo no lado oposto ao do pacemaker e não transporte o dispositivo no bolso da frente.
- Mantenha o dispositivo e a bateria longe de chamas nuas, calor excessivo e de luz solar direta. Não os coloque em cima ou dentro de dispositivos de aquecimento, tais como microondas, cafeteiras elétricas, fornos ou radiadores.
- Cumpra as leis e regulamentos locais quando utilizar o dispositivo. De modo a reduzir o risco de acidentes, não use o seu dispositivo sem fios enquanto conduz. Se quiser efetuar ou atender uma chamada, pare primeiro o veículo num local seguro.
- Ao andar de avião ou imediatamente antes de embarcar, utilize apenas o seu dispositivo de acordo com as instruções fornecidas. O uso de um dispositivo sem fios num avião pode interromper as redes sem fios, representar perigo para o funcionamento do avião ou ser ilegal.
- Para evitar danos nas partes ou circuitos internos do seu dispositivo, não o utilize em ambientes com pó, fumo, sujus ou campos magnéticos.

- Ao carregar o dispositivo, certifique-se de que o adaptador de energia está ligado à tomada perto do dispositivo e de fácil acesso.
- Desligue o carregador da tomada eléctrica e do dispositivo quando não estiver a utilizá-lo.
- Não utilize, armazene ou transporte o dispositivo em locais de armazenamento de materiais explosivos ou inflamáveis (posto de gasolina, depósito de óleo ou fábricas de produtos químicos). Utilizar o seu dispositivo nestes ambientes aumenta o risco de explosão ou fogo.
- Elimine este dispositivo, a bateria e acessórios de acordo com as regulamentações locais. Estes não devem ser eliminados como lixo doméstico normal. A utilização imprópria das baterias pode causar incêndios, explosão ou outros perigos.
- Consulte o seu médico e o fabricante do dispositivo para determinar se o funcionamento do dispositivo interfere com o do dispositivo médico.
- Siga as regras e regulamentos estipulados pelos hospitais e instalações de cuidados de saúde. Não utilize o dispositivo quando for proibido.

### **Atmosfera potencialmente explosiva**

Desligue o dispositivo em todas as áreas com uma atmosfera potencialmente explosiva e proceda em conformidade com toda a sinalização e instruções. As áreas que podem ter atmosferas potencialmente explosivas incluem locais onde normalmente se aconselharia a paragem do motor do veículo. O despoletar de faíscas nestas áreas poderá provocar uma explosão ou incêndio, resultando em ferimentos ou mesmo mortes. Não utilize o dispositivo em pontos de reabastecimento, tais como estações de serviço. Actue em conformidade com as restrições relativas à utilização de equipamento de rádio em áreas de depósitos de combustível, armazenamento, distribuição e fábricas de produtos químicos. Para além disso, respeite as restrições das áreas onde se encontram em progresso operações com explosivos. Antes de utilizar o dispositivo, tenha em atenção áreas com atmosferas potencialmente explosivas, as quais se encontram, mas nem sempre, claramente assinaladas. Tais localizações incluem áreas por baixo do convés em embarcações, locais de transferência química ou de armazenamento e áreas em que a atmosfera contém produtos químicos ou partículas, tais como grãos, poeiras ou poeiras metálicas. Informe-se junto dos fabricantes de veículos que utilizam gás de petróleo liquefeito

(tal como propano ou butano) se este dispositivo pode ser utilizado de forma segura nas suas imediações.

## **Informação de reciclagem e eliminação**



O símbolo de caixote do lixo com uma cruz usado no seu produto, bateria, literatura ou embalagem notificam que todos os produtos eletrónicos e baterias devem ser levados para pontos de recolha no fim da sua vida útil; estes não devem ser tratados como resíduo de fluxo normal de lixo doméstico. É da responsabilidade do utilizador eliminar o equipamento utilizando um ponto de recolha designado ou serviço de reciclagem de resíduos de equipamentos elétricos e eletrónicos (REEE) e baterias de acordo com a legislação local.

A recolha correta e reciclagem do seu equipamento asseguram que os resíduos EEE sejam reciclados de modo a conservar os materiais valiosos e protegendo a saúde humana e o ambiente; tratamento inadequado, ruturas acidentais, danos e/ou reciclagem imprópria destes produtos no final da sua vida útil pode ser prejudicial para a saúde e ambiente. Para mais informação sobre onde e como entregar o seu resíduo EEE, contacte as autoridades locais, revendedor, serviço de eliminação de resíduo doméstico ou visite a página <http://consumer.huawei.com/en/>.

## **Redução de substâncias perigosas**

Este dispositivo e quaisquer acessórios elétricos estão em conformidade com as leis locais em vigor relativas à restrição de uso de certas substâncias perigosas em equipamentos elétricos e eletrónicos, tais como as regulamentações REACH da UE, RoHS e Baterias (se incluídas), etc. Para declarações de conformidade relacionadas com REACH e RoHS, visite a página <http://consumer.huawei.com/certification>.

## **Conformidade regulamentar da UE**

### **Utilização junto ao corpo**

O dispositivo está em conformidade com as especificações de radiofrequência emitidas quando é utilizado junto do ouvido ou a uma distância de 0,50 cm do corpo. Certifique-se de que os acessórios do dispositivo, tais como a caixa e o estojo do mesmo, não contêm componentes de metal. Mantenha o dispositivo afastado do corpo para respeitar a distância exigida.

O valor SAR mais elevado comunicado para este tipo de dispositivo quando testado no ouvido é de

DUB-LX1	0,30 W/kg
---------	-----------

E quando utilizado corretamente no corpo é de

DUB-LX1	0,55 W/kg
---------	-----------

### **Declaração**

A Huawei Technologies Co., Ltd. declara que este dispositivo DUB-LX1 cumpre os requisitos essenciais e outras disposições relevantes da Diretiva 2014/53/UE.

A versão mais atualizada e válida da DdC (Declaração de Conformidade) pode ser visualizada em <http://consumer.huawei.com/certification>.

Este dispositivo pode ser operado em todos os estados membros da UE.

Cumpra com os regulamentos nacionais e locais onde o dispositivo for utilizado.

Este dispositivo poderá ter uma utilização restrita, dependendo da rede local.

### **Restrições na banda de 2,4 GHz:**

**Noruega:** Esta subsecção não se aplica à área geográfica num raio de 20 km desde o centro de Ny-Ålesund.

### **Bandas de frequência e Potência**

(a) Bandas de frequência nas quais o equipamento rádio opera: algumas bandas poderão não estar disponíveis em todos os países ou em todas as áreas. Contacte a operadora local para mais detalhes.

(b) A potência máxima de transmissão da frequência de rádio nas bandas de frequência nas quais o equipamento rádio opera: a potência máxima para todas as bandas é inferior ao valor do limite máximo especificado na norma harmonizada relacionada.

As bandas de frequência e os limites nominais de potências de transmissão (irradiadas e/ou conduzidas) aplicáveis para este equipamento rádio são os seguintes:

DUB-LX1	GSM900:35dBm, GSM1800:32dBm, WCDMA900/2100:25.7dBm, LTE Band 1/3/7/8/20:25.7dBm, Wi-Fi 2.4G:20dBm, Bluetooth:10dBm
---------	--

### **Acessórios e Informação do software**

Alguns acessórios são opcionais em certos países ou regiões. Acessórios opcionais podem ser adquiridos a partir de um

revendedor autorizado. São recomendados os seguintes acessórios:

Adaptadores: HW-050200X01, HW-050200X02 (o X representa os diferentes tipos de tomadas utilizadas, as quais podem ser C, U, J, E, B, A, I, R, Z ou K, dependendo da região onde se encontra)

Baterias: HB406689ECW

Auriculares: MEND1532B528A02, 1293-3283-3.5mm-322, MEMD1532B528000, 1293#+3283# 3.5MM-150

A versão de software do produto é DUB-LX1: DUB-LX1 8.2.0.107(C900). Atualizações do software serão lançadas pelo fabricante para reparar erros ou melhorar funcionalidades após o lançamento do produto. Todas as versões de software lançadas pelo fabricante foram verificadas e estão de acordo com as regras relativas.

Todos os parâmetros RF (por exemplo a gama de frequências e potência de saída) não estão acessíveis ao utilizador e não podem ser alteradas pelo mesmo.

Para a informação mais atualizada acerca dos acessórios e do software, veja a DdC (Declaração de Conformidade) em <http://consumer.huawei.com/certification>.

## Conformidade regulamentar da FCC

### Utilização junto ao corpo

O dispositivo está em conformidade com as especificações de radiofrequência emitidas quando é utilizado junto do ouvido ou a uma distância de 1,50 cm do corpo. Certifique-se de que os acessórios do dispositivo, tais como a caixa e o estojo do mesmo, não contêm componentes de metal. Mantenha o dispositivo afastado do corpo para respeitar a distância exigida.

### Informação de certificação (SAR)

Este dispositivo foi igualmente concebido para cumprir as exigências da exposição a ondas de rádio estabelecidas pela Comissão Federal de Comunicações (EUA).

O limite da SAR adotado pelos EUA é de 1,6 W/kg, calculado com base num grama de tecido. O valor SAR mais elevado comunicado à FCC para este tipo de dispositivo está em conformidade com este limite.

O valor SAR mais elevado comunicado à FCC para este tipo de dispositivo quando usado ao ouvido é

DUB-LX1	0,58 W/kg
---------	-----------

E quando utilizado corretamente no corpo é de

DUB-LX1	0,53 W/kg
---------	-----------



E a quando do uso da função ponto de acesso Wi-Fi é

DUB-LX1	0,51 W/kg
---------	-----------

### **Declaração da FCC**

Este equipamento foi testado e considerado em conformidade com os limites para um dispositivo digital de Classe B, de acordo com a Parte 15 das Regras da FCC. Estes limites visam fornecer uma protecção razoável contra interferência prejudicial numa instalação residencial. Este equipamento gera, utiliza e pode emitir energia de radiofrequência e, se não for instalado e utilizado de acordo com as instruções, pode causar interferência prejudicial nas radiocomunicações. No entanto, não existe qualquer garantia de que a interferência não venha a ocorrer numa determinada instalação. Se este equipamento efectivamente causar interferência prejudicial na recepção de rádio ou televisão, o que pode ser determinado desligando e ligando o equipamento, recomenda-se que o utilizador tente corrigir a interferência através de uma ou mais das seguintes medidas:

- Reoriente ou reposicione a antena receptora.
- Aumente a distância entre o equipamento e o receptor.
- Ligue o equipamento a uma tomada num circuito diferente do circuito ao qual está ligado o receptor.
- Consulte o fabricante ou um técnico de rádio/TV habilitado para obter ajuda.


Este dispositivo está em conformidade com a Parte 15 das Regras da FCC. O funcionamento está sujeito às duas condições seguintes: (1) este dispositivo não pode causar interferência prejudicial, e (2) este dispositivo tem de aceitar qualquer interferência recebida, incluindo interferência que possa causar um funcionamento indesejável.

**Atenção:** Quaisquer alterações ou modificações efectuadas neste dispositivo não aprovadas expressamente pela Huawei Technologies Co., Ltd. em termos de conformidade podem anular a autoridade do utilizador para utilizar o equipamento.

# Aviso legal

## Marcas comerciais e autorizações



**HUAWEI**, **HUAWEI** e  são marcas comerciais ou marcas comerciais registadas da Huawei Technologies Co., Ltd. Android™ é uma marca comercial da Google Inc. LTE é uma marca comercial do ETSI.

A marca nominativa e os logótipos *Bluetooth*® são marcas registadas da *Bluetooth SIG, Inc.* e qualquer utilização dessas marcas por parte da Huawei Technologies Co., Ltd. é efectuada sob licença.

Wi-Fi®, o logótipo Wi-Fi CERTIFIED e o logótipo Wi-Fi são marcas comerciais da Wi-Fi Alliance.

## Política de Privacidade



Para melhor compreender como protegemos a sua informação pessoal, consulte a política de privacidade em <http://consumer.huawei.com/privacy-policy>.

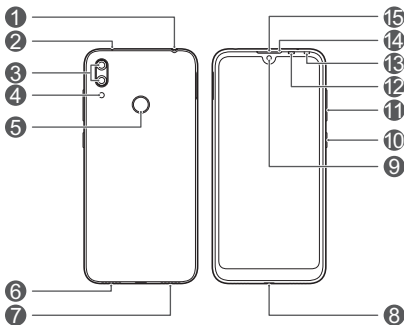
**Copyright © Huawei Technologies Co., Ltd.  
2018. Todos os direitos reservados.**

ESTE DOCUMENTO DESTINA-SE EXCLUSIVAMENTE A FINS INFORMATIVOS E NÃO CONSTITUI QUALQUER TIPO DE GARANTIA.

# Uw apparaat in een oogopslag

Laten we, voordat u begint, even naar uw nieuwe apparaat kijken.

- U kunt uw apparaat inschakelen door de aan/uit-knop ingedrukt te houden totdat het scherm wordt ingeschakeld.
- U kunt uw apparaat uitschakelen door de aan/uit-knop ingedrukt te houden en vervolgens op  te tikken.
- Houd de aan/uit-knop ingedrukt en tik dan op  om uw apparaat te herstarten.
- Houd de aan/uit-knop 10 seconden of langer ingedrukt om uw apparaat geforceerd te herstarten.



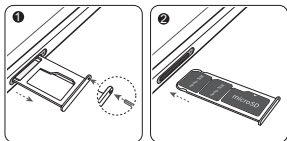
1	Headset-aansluiting	2	Secundaire microfoon
3	Camera aan de achterzijde	4	Zaklamp
5	Vingerafdrukscanner	6	Luidspreker
7	Primaire microfoon	8	Micro-USB-poort
9	Camera aan de voorzijde	10	Aan / uit-knop
11	Volumeknop	12	Lichtsensor
13	Selfie Toner-flits	14	Statusindicator
15	Oorstuk		

## Aan de slag

- Plaats en verwijder geen simkaart wanneer uw apparaat is ingeschakeld.
- Controleer of de kaart goed is uitgelijnd en of de kaartsleuf gelijkmatig is wanneer u deze in uw apparaat plaatst.
- Wees voorzichtig en voorkom krassen op uw apparaat of verwondingen bij uzelf wanneer u de verwijderdtool gebruikt.
- Bewaar de verwijderdtool buiten het bereik van kinderen om onbedoeld inslikken en onbedoelde verwondingen te voorkomen.
- Gebruik geen geknipte of vermaakte sim- of microSD-kaarten in uw apparaat, het is mogelijk dat die niet worden herkend en de kaarthouder (sleuf) zou beschadigd kunnen raken.
- Neem contact op met uw provider als uw simkaart niet overeen komt met uw apparaat.

Volg de instructies in de volgende afbeeldingen om uw apparaat in te stellen. Gebruik de inbegrepen verwijderdtool.

### Dual sim:



## Dual Card Dual Standby Single Pass (geldt alleen voor dual sim-apparaten)

Uw apparaat ondersteunt alleen Dual simkaart, dubbele standby, enkelvoudig. Dit betekent dat u niet beide simkaarten tegelijkertijd kunt gebruiken voor oproepen en datadiensten.

- Wanneer u via simkaart 1 belt, kan simkaart 2 niet worden gebruikt om te bellen of om oproepen te beantwoorden. Als iemand simkaart 2 belt, hoort de beller een spraakbericht zoals "Het nummer dat u hebt geprobeerd te bellen, heeft geen bereik" of "Er kan op dit moment geen verbinding worden gemaakt met het nummer dat u geprobeerd heeft te bellen. Probeer het later nog eens." Het daadwerkelijke bericht zal per serviceprovider verschillen.
- Wanneer u de datadienst van simkaart 1 gebruikt, zal de datadienst van simkaart 2 worden uitgeschakeld.

De functie voor enkelvoudig gebruik op uw apparaat helpt om het batterijverbruik te verminderen en de stand-bytijd van uw apparaat te verhogen. Deze is niet gerelateerd aan de netwerkvoorwaarden van uw serviceprovider.

U kunt naar **Instellingen > Draadloos en netwerken > Dual sim-instellingen** gaan en **Inschakelen doorschakeling tussen SIM-kaarten** inschakelen om de bovenstaande conflicten te verwijderen.

## Voor meer informatie

Wanneer u problemen ervaart tijdens het gebruik van uw apparaat, kunt u hulp verkrijgen via de volgende bronnen:

- Ga naar **Tips** voor meer informatie over de werking en tips voor het gebruik ervan.
- Ga naar <http://consumer.huawei.com/en> om apparaatgegevens, veelgestelde vragen en andere informatie te bekijken.
- <http://consumer.huawei.com/en/support> bezoeken voor de laatste contactgegevens voor uw land of regio.
- U kunt de servicehotlines, adressen van winkeliers, servicebeleid en meer informatie voor uw lokale regio vinden op **HiCare**.

Ga naar **Instellingen** en tik op **Systeem > Over telefoon > Juridische informatie** om juridische informatie over uw product te bekijken.

Ga naar **Instellingen** en tik op **Systeem > Over telefoon > Juridische informatie > Veiligheidsinformatie** om veiligheidsinformatie over uw product te bekijken.

Ga naar **Instellingen** en tik op **Systeem > Over telefoon > Verificatie-info** om wettelijk verplichte informatie over uw product te bekijken.

Ga naar **Instellingen** en tik op **Systeem > Certificatie logo's** om informatie over certificeringslogo's voor uw product te bekijken.



Alle afbeeldingen en illustraties in deze handleiding zijn enkel ter referentie, met inbegrip van maar niet beperkt tot de kleur en afmetingen van het apparaat en de inhoud van het scherm. Het daadwerkelijke apparaat kan verschillen. Niets in deze handleiding vormt een garantie van enige soort, uitdrukkelijk of impliciet.

# Veiligheidsinformatie

Lees alle veiligheidsinformatie zorgvuldig door voordat u uw apparaat in gebruik neemt, om een veilige en correcte werking te waarborgen en meer te leren over hoe u uw apparaat op gepaste wijze kunt afvoeren.

## Bediening en veiligheid



- Voorkom mogelijke gehoorschade door niet langdurig te luisteren op een hoog geluidsniveau.
- Het gebruik van een niet-goedgekeurde of niet-compatibele voedingsadapter, oplader of batterij kan uw apparaat beschadigen, de levensduur van het apparaat verkorten of brand, explosies of andere gevaren veroorzaken.
- De ideale bedrijfstemperatuur is 0 °C tot 35 °C. De ideale opslagtemperatuur is -20 °C tot +45 °C.
- Fabrikanten van pacemakers bevelen aan dat een maximum afstand van 15 cm moet worden aangehouden tussen het apparaat en de pacemaker om mogelijke storingen in de pacemaker te voorkomen. Als u een pacemaker gebruikt, houdt u het apparaat aan tegenoverliggende kant van de pacemaker en draagt u het apparaat niet in uw borstzak.
- Houd het apparaat en de batterij uit de buurt van vuur, overmatige hitte en direct zonlicht. Plaats ze niet op of in verwarmingsapparaten, zoals magnetrons, ovens en radiatoren.
- Houd u aan de lokale wet- en regelgeving terwijl u het apparaat gebruikt. Gebruik uw draadloze apparaat niet terwijl u rijdt om het risico op ongevallen te verminderen. Als u een oproep moet plaatsen of beantwoorden, stop uw voertuig dan eerst op een veilige plek.
- Tijdens het reizen in een vliegtuig of onmiddellijk voorafgaand aan het landen mag u uw apparaat uitsluitend gebruiken volgens de gegeven instructies. Het gebruik van een draadloos apparaat in een vliegtuig kan draadloze netwerken ontwrichten, de correcte werking van het vliegtuig in gevaar brengen of illegaal zijn.
- Om schade aan de onderdelen of het interne circuit van uw apparaat te voorkomen, gebruikt u het apparaat niet in een stoffige, rokerige, vochtige of vuile omgeving of in de buurt van magnetische velden.

- Zorg ervoor dat de voedingsadapter tijdens het opladen van het apparaat is aangesloten op een stopcontact in de buurt van het apparaat en goed bereikbaar is.
- Neem de oplader uit het stopcontact en het apparaat als de oplader niet wordt gebruikt.
- Gebruik of transporteer het apparaat niet, of sla het apparaat niet op, op plaatsen waar ontvlambare of explosieve stoffen zijn opgeslagen, bijvoorbeeld in een benzinstation, oliedepot of chemische fabriek. Het gebruik van uw apparaat in deze omgevingen verhoogt het risico op explosie of brand.
- Voer het apparaat, de batterij en de accessoires af volgens de plaatselijke voorschriften. Deze mogen niet worden samen met het normale huishoudelijke afval weggegooid. Onjuist gebruik kan leiden tot brand, explosie of andere gevaren.
- Raadpleeg uw arts en de fabrikant van het apparaat om te bepalen of het gebruik van uw toestel het gebruik van uw medische apparaat negatief kan beïnvloeden.
- Volg de regels en voorschriften van ziekenhuizen en gezondheidsinrichtingen. Gebruik het apparaat niet waar dit niet is toegestaan.

## **Potentieel explosieve omgevingen**

Schakel uw telefoon uit in elk gebied met een potentieel explosieve atmosfeer en zorg ervoor dat u voldoet aan alle tekens en instructies. Gebieden die een potentieel explosieve atmosfeer hebben omvatten de gebieden waar u normaliter gevraagd zou worden uw auto uit te schakelen. Vonken in dergelijke gebieden kunnen een explosie of brand veroorzaken, wat resulteert in lichamelijk letsel of zelfs de dood. Schakel het apparaat niet aan bij tankstations. Houd u aan alle beperkingen voor het gebruik van radio-apparatuur bij benzinstations, opslag en distributiegebieden en chemische fabrieken. Houd uzelf tevens aan de beperkingen in gebieden waar explosiehandelingen in uitvoering zijn. Kijkt u alvorens het apparaat te gebruiken uit voor gebieden die een mogelijk explosieve atmosfeer hebben en die vaak, maar niet altijd, hiervoor gemarkeerd zijn. Dergelijke locaties omvatten gebieden onder het dek van een boot, chemische transport- of opslagfaciliteiten en gebieden waar de lucht chemicaliën of deeltjes bevat zoals vezels, stof of metaalpoeder. Vraag de producenten van voertuigen die vloeibaar petroleumgas gebruiken (zoals propaan of butaan) of dit apparaat veilig gebruikt kan worden in hun nabijheid.



## Informatie over verwijdering en recycling



Het symbool van de prullenbak met het kruis erdoorheen op uw product, batterij, documentatie of verpakking herinnert u eraan dat alle elektronische producten en batterijen aan het einde van hun levensduur dienen te worden ingeleverd bij speciale afvalinzamelingspunten; deze mogen niet samen met normaal huishoudelijk afval worden weggegooid. Het is de verantwoordelijkheid van de gebruiker om de apparatuur in te leveren bij een daartoe aangewezen inzamelingspunt of -dienst voor afzonderlijke recycling van elektrische en elektronische apparatuur en batterijen, in overeenstemming met de plaatselijke wetgeving.

Een juiste inzameling en recycling van uw apparatuur helpt ervoor te zorgen dat afval van elektrische en elektronische apparatuur wordt gerecycled op een manier waarbij waardevolle materialen worden teruggewonnen en beschermt de gezondheid van personen en hun omgeving. Een onjuiste hantering, onbedoeld stukgaan, schade en/of een onjuiste recycling aan het einde van de levensduur kan schadelijk zijn voor de gezondheid en het milieu. Voor meer informatie over waar en hoe u afval van elektrische en elektronische apparatuur kunt inleveren, neemt u contact op met de plaatselijke autoriteiten, uw verkoper of de afvalinzamelingsdienst, of u bezoekt de website <http://consumer.huawei.com/en/>.

### **Beperking van gevaarlijke stoffen**

Dit apparaat en alle elektrische accessoires voldoen aan de plaatselijke geldende voorschriften met betrekking tot de beperking van het gebruik van bepaalde gevaarlijke stoffen in elektrische en elektronische apparatuur, zoals EU REACH, RoHS evenals voorschriften met betrekking tot batterijen (indien inbegrepen), etc. Voor verklaringen van conformiteit met betrekking tot REACH en RoHS bezoekt u onze website <http://consumer.huawei.com/certification>.

### **Naleving van de EU-wetgeving**

#### **Gebruik op het lichaam**

Het apparaat voldoet aan de RF-specificatie indien gebruikt nabij het oor of op een afstand van 0,50 cm van het lichaam. Zorg ervoor dat de accessoires van het apparaat, zoals een

apparaathoes en -houder, geen metalen onderdelen bevatten. Houd het toestel weg van uw lichaam om aan deze afstandseis te voldoen.

De hoogste SAR-waarde die voor dit type apparaat tijdens een test in het oor werd gemeld, bedraagt

DUB-LX1	0,30 W/kg
---------	-----------

Bij juist gebruik op het lichaam is dit

DUB-LX1	0,55 W/kg
---------	-----------

### Verklaring

Hierbij verklaart Huawei Technologies Co., Ltd. dat dit apparaat, DUB-LX1, voldoet aan de minimale vereisten en andere relevante bepalingen van Richtlijn 2014/53/EU. De meest recente en geldige versie van de DoC (Verklaring van overeenstemming) kan worden bekeken op <http://consumer.huawei.com/certification>.

Dit apparaat mag in alle lidstaten van de EU worden gebruikt. U moet zich houden aan de nationale en plaatselijke voorschriften waar het apparaat wordt gebruikt.

Dit apparaat kan beperkt zijn in het gebruik, afhankelijk van het lokale netwerk.

### Beperkingen op de 2,4 GHz-band:

**Noorwegen:** Dit hoofdstuk is niet van toepassing op het geografische gebied binnen een straal van 20 km van het centrum van Ny-Ålesund.

### Frequentieband en vermogen

(a) Frequentieband waarbinnen de radioapparatuur functioneert: Sommige frequentiebanden zijn niet in alle landen en regio's beschikbaar. Neem contact op met uw aanbieder voor meer informatie.

(b) Maximaal radiofrequentievermogen uitgezonden in de frequentieband waarbinnen de radioapparatuur functioneert: Het maximale vermogen voor alle frequentieband is minder dan de limietwaarde voor de van toepassing zijnde geharmoniseerde standaard.

De nominale limieten van de frequentiebanden en van het zendvermogen (uitgestraald en/of geleid) van deze radioapparatuur zijn als volgt:

DUB-LX1	GSM900:35dBm, GSM1800:32dBm, WCDMA900/2100:25.7dBm, LTE Band 1/3/7/8/20:25.7dBm, Wi-Fi 2.4G:20dBm, Bluetooth:10dBm
---------	--

## **Informatie over accessoires en software**

Sommige accessoires zijn optioneel in bepaalde landen of regio's. Optionele accessoires kunnen eventueel worden gekocht via een gelicentieerde leverancier. De volgende accessoires worden aanbevolen:

Adapters: HW-050200X01, HW-050200X02 (X houdt in de verschillende soorten stekkers, namelijk C, U, J, E, B, A, I, R, Z of K, afhankelijk van uw regio)

Batterijen: HB406689ECW

Hoofdtelefoon: MEND1532B528A02, 1293-3283-3.5mm-322, MEMD1532B528000, 1293#+3283# 3.5MM-150

De softwareversie van het product is DUB-LX1: DUB-LX1 8.2.0.107(C900). De fabrikant werkt de software bij om fouten in de software te verhelpen of de functionaliteit van het product te verbeteren nadat het product is uitgekomen. Alle versies van de software zijn door de fabrikant gecontroleerd, en voldoen aan alle van toepassing zijnde regels.

De RF-parameters (bijvoorbeeld frequentiebereik en zendvermogen) zijn niet toegankelijk voor de gebruiker, en kunnen niet worden gewijzigd door de gebruiker.

Ga voor de meest recente informatie over accessoires en software naar de Verklaring van overeenstemming op <http://consumer.huawei.com/certification>.

## **Wettelijke FCC-naleving**

### **Gebruik op het lichaam**

Het apparaat voldoet aan de RF-specificatie indien gebruikt nabij het oor of op een afstand van 1,50 cm van het lichaam. Zorg ervoor dat de accessoires van het apparaat, zoals een apparaathoes en -houder, geen metalen onderdelen bevatten. Houd het toestel weg van uw lichaam om aan deze afstandseis te voldoen.

### **Informatie over certificaten (SAR)**

Dit apparaat is tevens ontworpen om te voldoen aan de vereisten voor blootstelling aan radiogolven, zoals vastgesteld door de Federal Communications Commission (VS).

De SAR-limiet, aangenomen door de VS, is een gemiddelde van 1,6 W/kg voor iedere 1 gram lichaamsweefsel. De hoogste SAR-waarde die gerapporteerd werd aan de FCC voor dit type apparaat voldoet aan deze limiet.

De hoogste SAR-waarde die voor dit type apparaat tijdens gebruik in het oor aan FCC werd gemeld, bedraagt it in het oor bedraagt deze

DUB-LX1	0,58 W/kg
---------	-----------

Bij juist gebruik op het lichaam is dit

DUB-LX1	0,53 W/kg
---------	-----------

En bij gebruik van de Wi-Fi-hotspotfunctie is dit

DUB-LX1	0,51 W/kg
---------	-----------

### **FCC-verklaring**

Deze apparatuur is getest en in overeenstemming bevonden met de grenswaarden voor een digitaal apparaat van Klasse B, conform Deel 15 van de FCC-regelgeving. Deze grenswaarden zijn bedoeld om een redelijke bescherming te bieden tegen schadelijke storing in een particulier woongebouw. Deze apparatuur genereert en gebruikt radiofrequentie-energie en kan die ook uitstralen. Als deze apparatuur niet volgens de aanwijzingen van de fabrikant wordt geïnstalleerd en gebruikt, kan dat leiden tot schadelijke storing voor radiocommunicatie. Er is echter geen garantie dat in een bepaald gebouw geen storing zal optreden. Indien het apparaat schadelijke storing aan radio- of televisieontvangst veroorzaakt, hetgeen kan worden vastgesteld wanneer de apparatuur uit en aan wordt gezet, kunt u met de volgende maatregelen de storing proberen te verhelpen:

- Verander de positie of de richting van de ontvangstantenne.
- Plaats de apparatuur en de ontvanger verder uit elkaar.
- Sluit de apparatuur niet aan op hetzelfde stopcontact als het ontvangende apparaat.
- Bel de dealer of een ervaren radio-/tv-technicus voor hulp.

Dit apparaat voldoet aan Deel 15 van de FCC-regelgeving. Het apparaat mag onder de volgende twee voorwaarden worden gebruikt: (1) dit apparaat mag geen schadelijke interferentie veroorzaken en (2) dit apparaat moet alle ontvangen interferentie aanvaarden, inclusief interferentie die tot een ongewenste werking van het apparaat kan leiden.

**Let op:** Alle wijzigingen of aanpassingen die niet uitdrukkelijk zijn goedgekeurd door Huawei Technologies Co., Ltd. kunnen de bevoegdheid van de gebruiker voor het bedienen van de apparatuur ongeldig maken.

# Juridische kennisgeving

## Handelsmerken en vergunningen



**HUAWEI**, **HUAWEI** en  zijn handelsmerken of gedeponeerde handelsmerken van Huawei Technologies Co., Ltd.

Android™ is een handelsmerk van Google Inc.

LTE is een handelsmerk van ETSI.

Het woordmerk *Bluetooth*® en de bijbehorende logo's zijn gedeponeerde handelsmerken van *Bluetooth SIG, Inc.* en elk gebruik van dergelijke merken door Huawei Technologies Co., Ltd. vindt plaats onder licentie.

Wi-Fi®, het Wi-Fi CERTIFIED-logo en het Wi-Fi-logo zijn handelsmerken van Wi-Fi Alliance.

### **Privacybeleid**

Voor meer inzicht in de manier waarop wij uw persoonlijke gegevens beschermen, raadpleegt u ons privacybeleid via <http://consumer.huawei.com/privacy-policy>.

**Copyright © Huawei Technologies Co., Ltd.**

**2018. Alle rechten voorbehouden.**

DIT DOCUMENT IS ALLEEN TER INFORMATIE EN BEVAT GEEN VORM VAN GARANTIE.







31500ASC\_01

